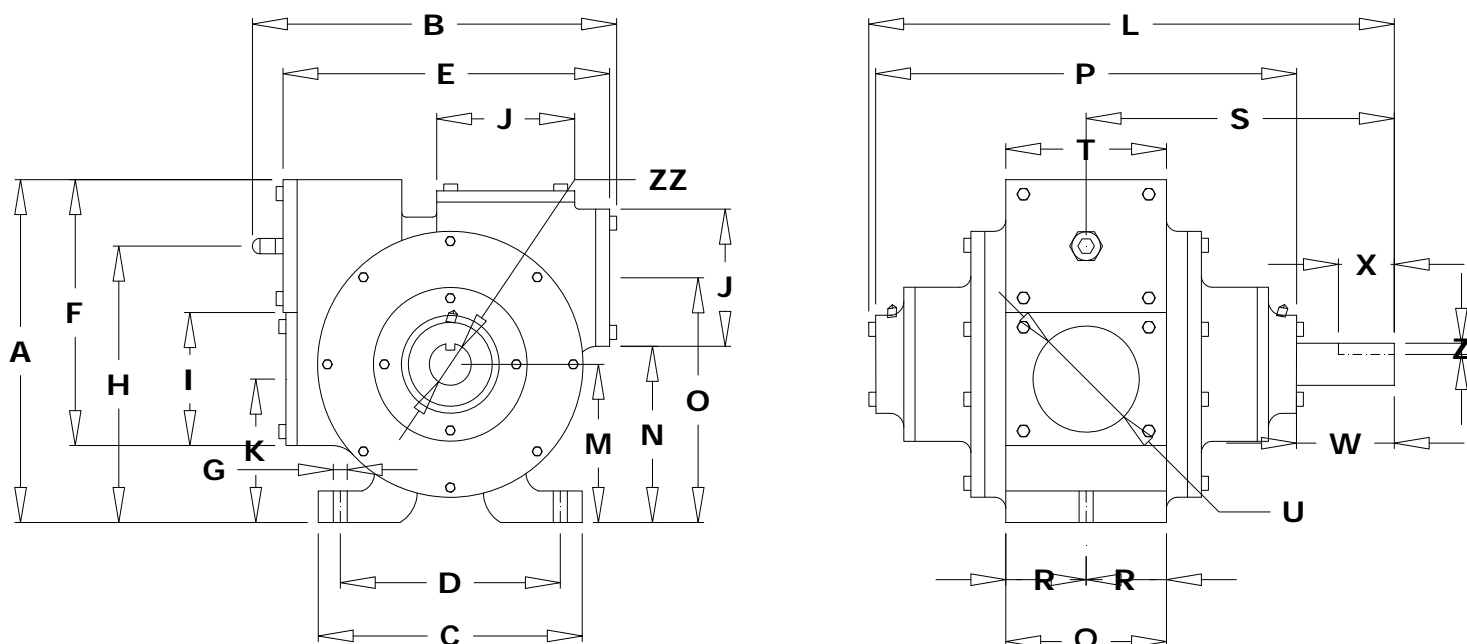
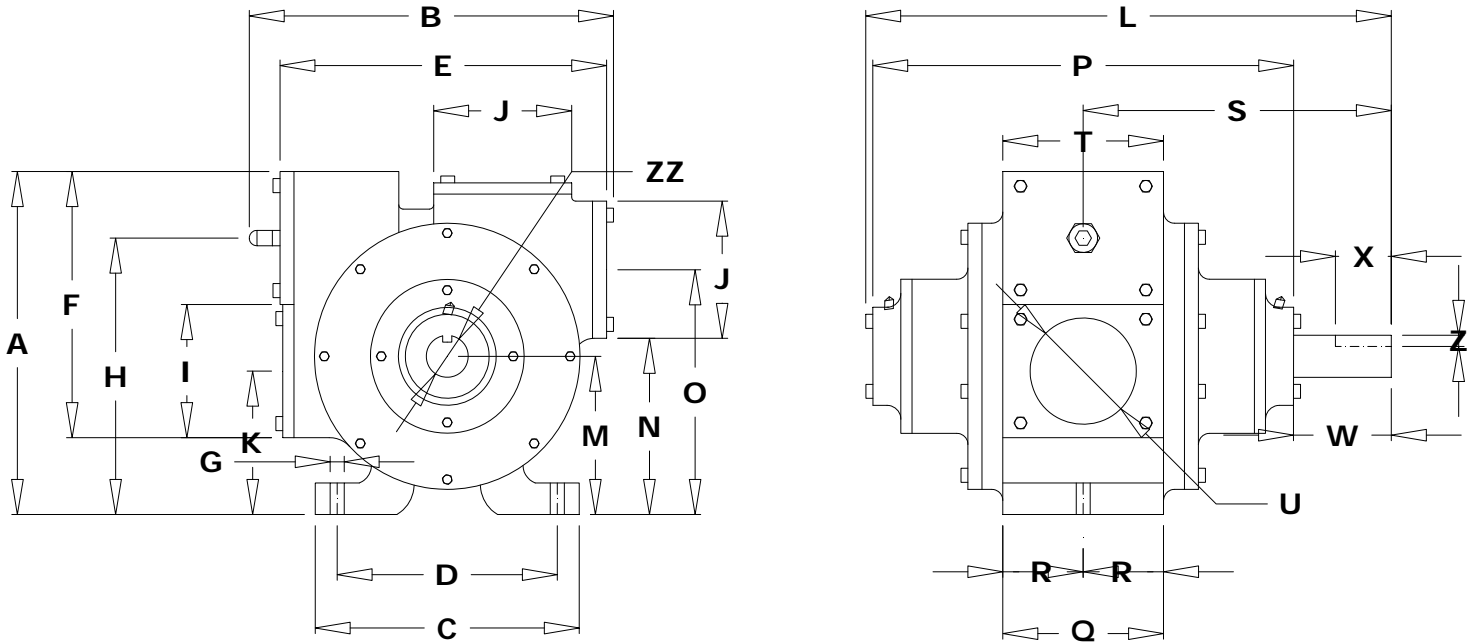


SLIDING VANE PUMP 2" -DIMENSIONS LIST



type : SLIDING VANE PUMP 2"					
model: WP2R - WP2L – WP2RV – WP2LV					
DIMENSIONS	mm	DIMENSIONS	mm	DIMENSIONS	mm
A	229	L	352	W	73
B	257	M	104	X	40
C	195	N	127	Y	-
D	167	O	173	Z	4
E	233	P	278	ZZ	28
F	180	Q	93		
G	16	R	46		
H	186	S	213		
I	142	T	91		
J	94	U	55		
K	96	V	-		

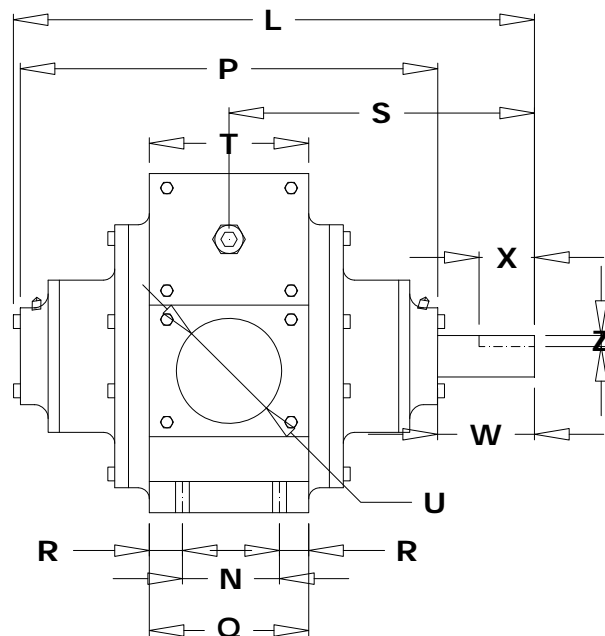
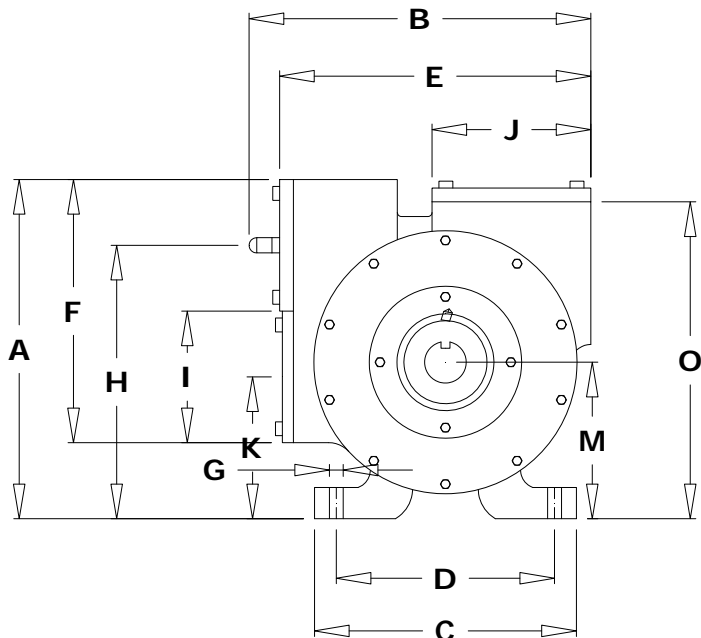
SLIDING VANE PUMP 2.5" -DIMENSIONS LIST



type : SLIDING VANE PUMP 2.5"					
model: WP2.5R - WP2.5L – WP2.5RV – WP2.5LV					
DIMENSIONS	mm	DIMENSIONS	mm	DIMENSIONS	mm
A	262	L	375	W	71
B	257	M	110	X	40
C	208	N	132	Y	-
D	182	O	189	Z	4
E	284	P	375	ZZ	30
F	210	Q	115		
G	16	R	57.5		
H	210	S	155		
I	105	T	114		
J	112	U	70		
K	108	V	-		

ΑΝΤΛΙΑ ΠΤΕΡΥΓΙΟΦΟΡΑ 3"

SLIDING VANE PUMP 3" -DIMENSIONS LIST



type : SLIDING VANE PUMP 3"					
model: WP3R – WP3L – WP3RV – WP3LV					
DIMENSIONS	mm	DIMENSIONS	mm	DIMENSIONS	mm
A	328	L	397	W	77
B	268	M	143	X	50
C	248	N	94	Y	-
D	220	O	300	Z	5
E	283	P	322	ZZ	35
F	270	Q	130		
G	17.5	R	18		
H	266	S	166		
I	200	T	130		
J	134	U	80		
K	127	V	-		