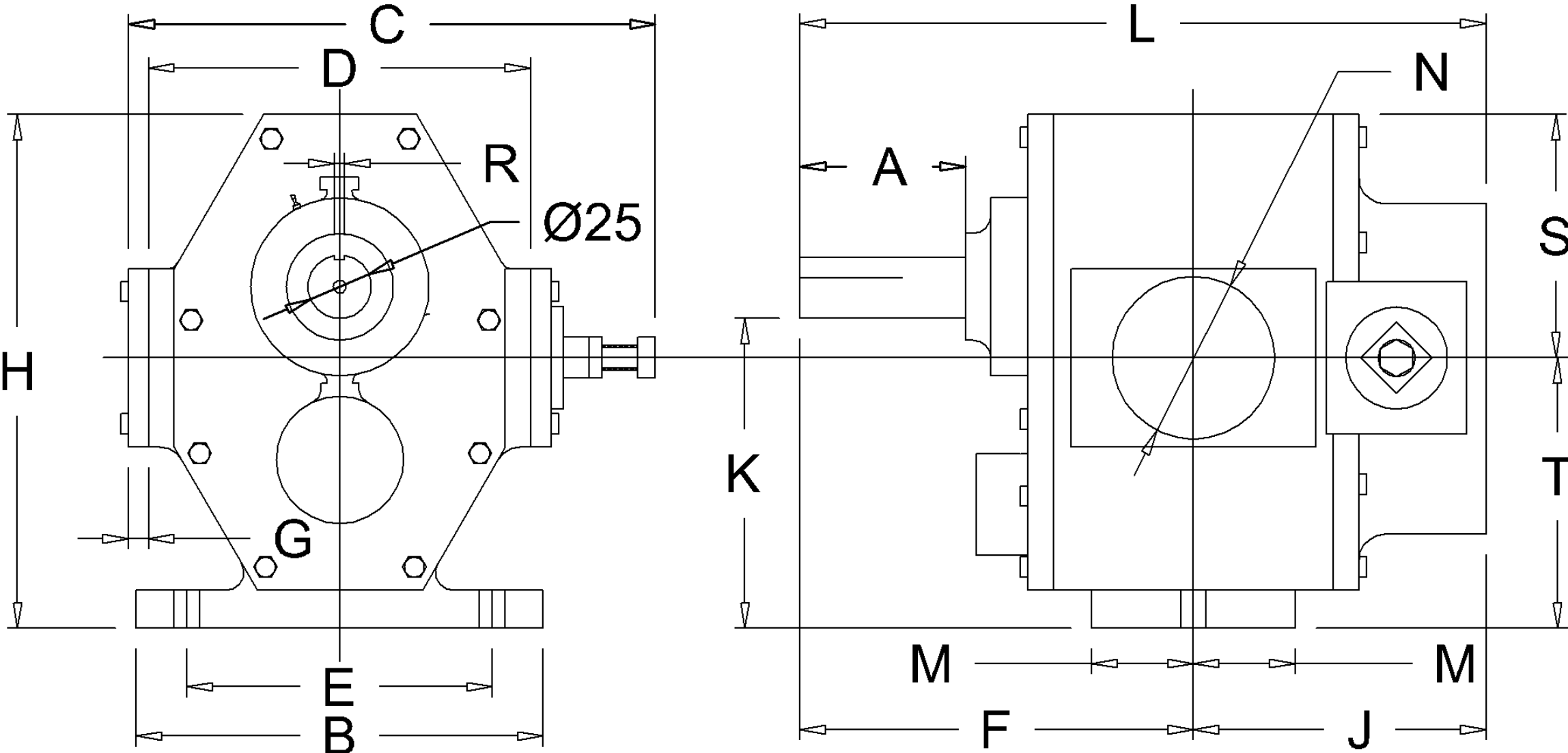
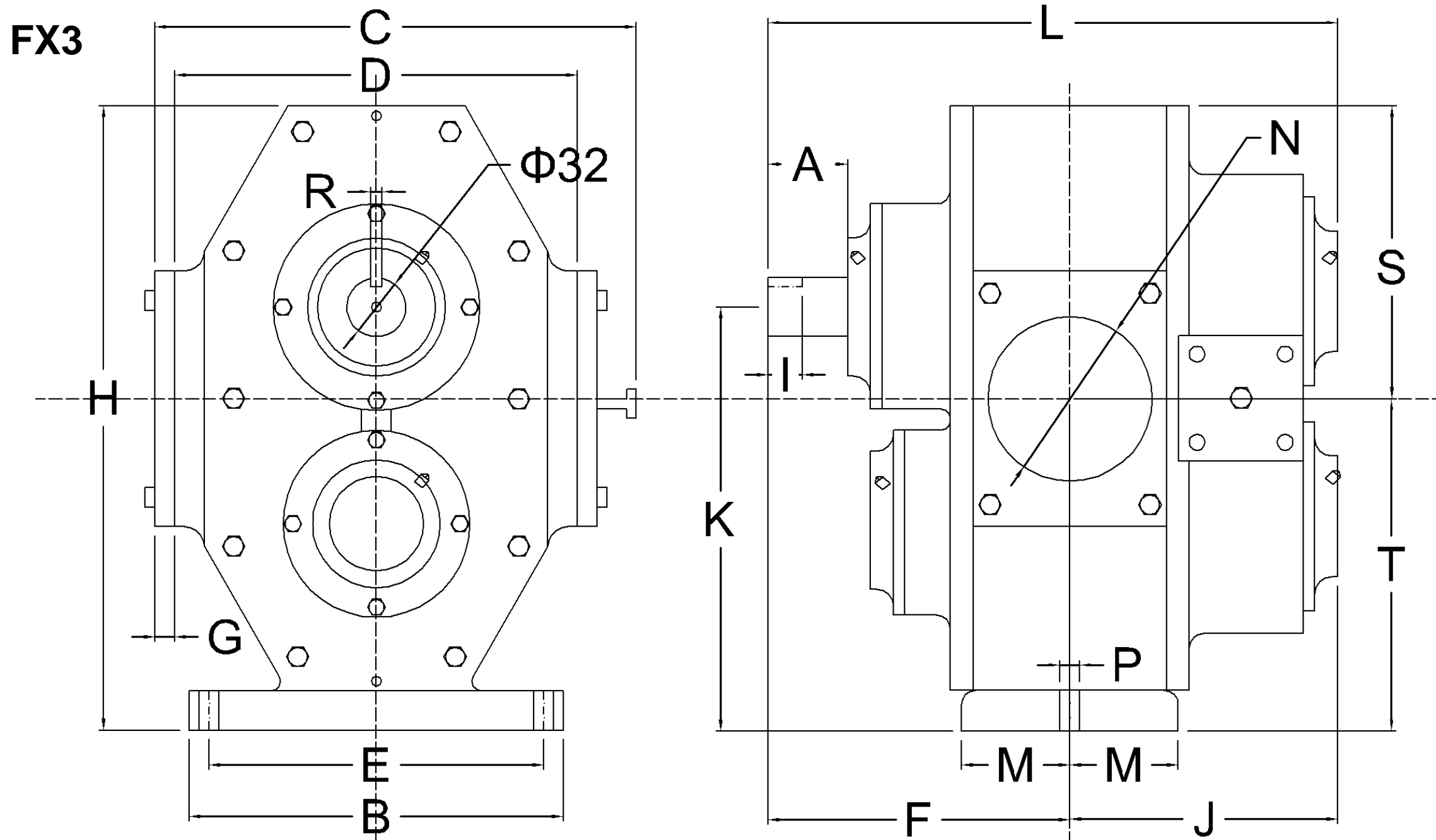


Pump model		A	B	C	D	E	F	G	H	I	J	K	L	M	N	Φ	P	Q	R	S	Weight
FX1-1,25	mm	30	174	185	112	116	38.5	31.5	156	54	155	118	222	22	14	20	123	155	66	1,2	11kg
	inch	1,18	6,85	7,28	4,4	4,56	1,51	1,24	6,14	2,12	6,10	4,64	8,74	0,86	0,55	0,79	4,84	6,10	2,6	0,47	24lbs

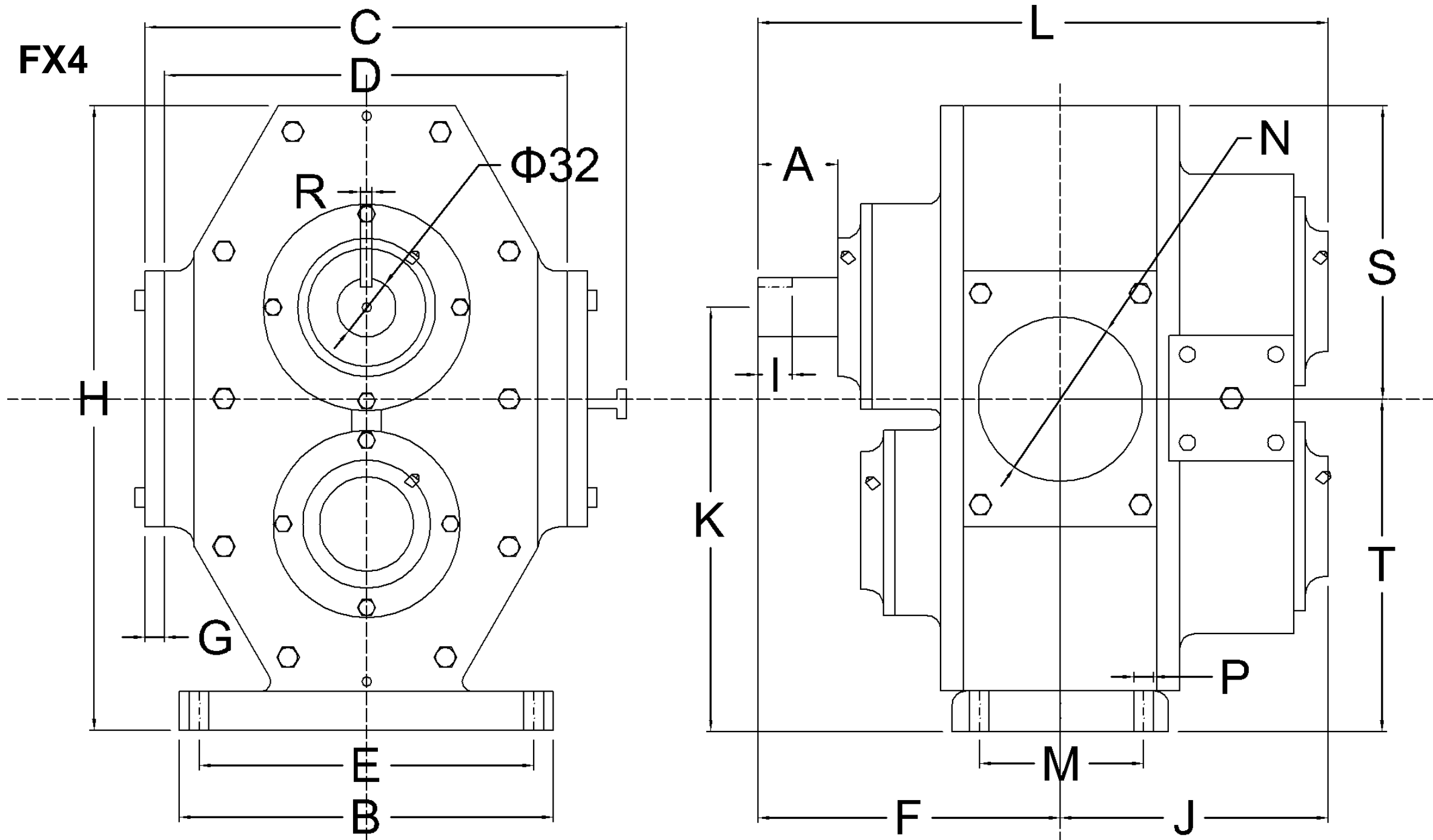
FX1.5



Pump model		A	B	C	D	E	F	G	H	I	J	K	L	M	N	Φ	P	R	S	T	Weight
FX1.5	mm	57	162	245	150	122	189.5	10	221	40	108.5	153	298	42	45	25	15.5	8	102	118.5	29Kg
	inch	2.24	6.38	9.64	59.05	4.8	7.46	0.39	8.7	1.57	4.27	6.02	11.73	1.65	1.77	0.98	0.61	0.31	4.01	4.66	64lbs

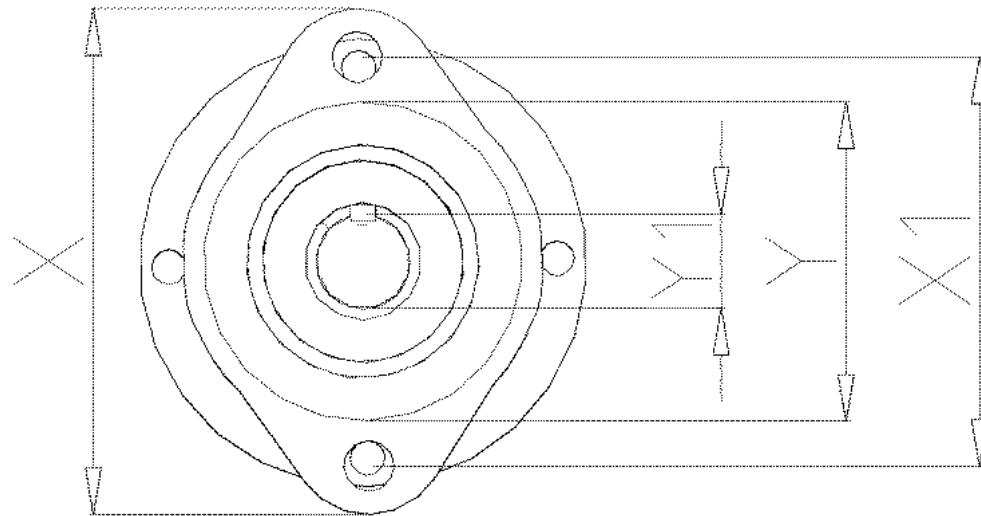
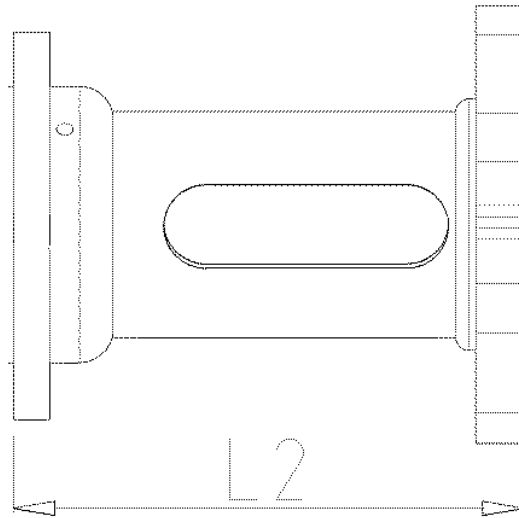


Pump model		A	B	C	D	E	F	G	H	I	J	K	L	M	N	Φ	P	R	S	T	Weight
FX3	mm	71	198	235	206	160	241	11.5	317	40	176	223	417	55	73	32	17.5	8	148.5	170.5	72Kg
	inch	2.79	7.79	9.25	8.11	6.3	9.49	0.45	12.48	1.57	6.92	8.78	16.41	2.16	2.87	1.26	0.69	0.31	5.84	67.12	159lbs



Pump model		A	B	C	D	E	F	G	H	I	J	K	L	M	N	Φ	P	R	S	T	Weight
FX3	mm	71	198	235	206	160	241	14.5	317	40	197.5	223	465	119	115	32	15.5	8	148.5	170.5	84.5Kg
	inch	2.79	7.79	9.25	8.11	6.3	9.49	0.57	12.48	1.57	7.77	8.78	18.3	4.68	4.52	1.26	0.61	0.31	5.84	67.12	186lbs

Hydraulic adaptor



Pump model		L2	X	X1	Y	Y1
FX1.5	mm	130	130	106	82.65	25
	inch	5.19	5.19	4.17	3.25	0.98
FX3	mm	148	130	106	82.65	25
	inch	7	5.19	4.17	3.25	0.98
FX4	mm	148	130	106	82.65	25
	inch	7	5.19	4.17	3.25	0.98

Total length of pump + adaptor :

FX1.5 =

FX3 =

FX4 =