

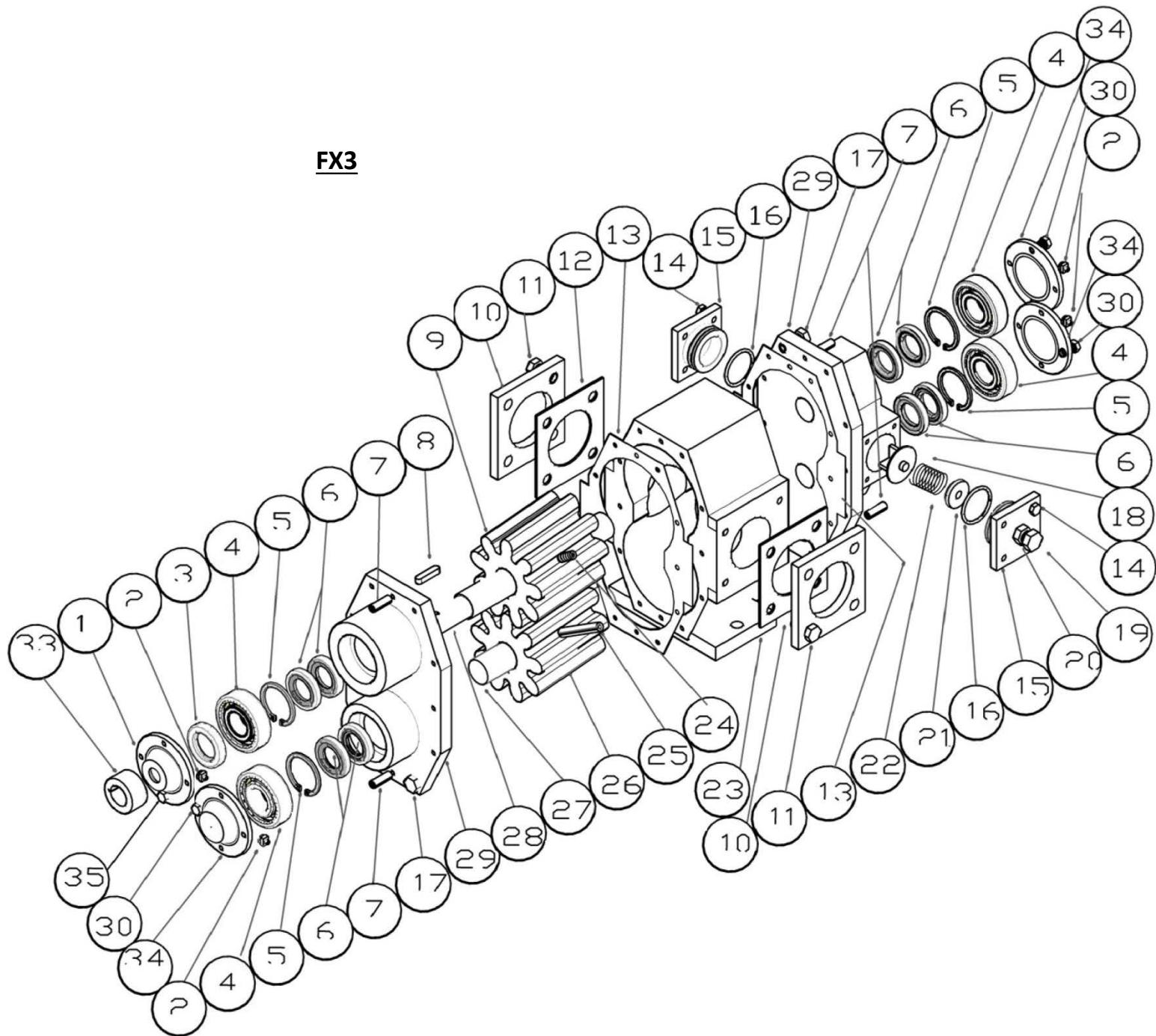
FX4

No	DESCRIPTION	PIECES	CODE
1	Bearing cover (open) Aluminum	1	7.0031
2	Greaser M6	4	9.0045
3	Rotary lip seal 35x45x7 NBR	2	4.0009
4	Ball bearing 6207	4	5.0005
5	Retaining ring B60 (DIN 471)	4	9.0042
6	Lip seal 55x35x8 NBR Lip seal 55x35x8 FKM	4	4.0004 4.0005
7	Cotter pin 8x30	4	9.0050
8	Shaft key 8x7x40	2	9.0060
9	Right Gear GG25 Right Gear 17NiCrMo6-4 Thermal treated	1	2.0043 2.0057
10	Flange weld	2	6.0028
11	Hex screw M12x35	12	9.0009
12	Flange Gasket Rubber Cork Flange Gasket Teflon	2	6.0029 6.0032
13	Gasket	2	6.0027
14	Hex screw M8x25	8	9.0007
15	By-Pass Valve cover (closed) GG25	1	3.0046
16	O-ring 55x49x3 NBR O-ring 55x49x3 FKM	2	4.0045 4.0046
17	Hex screw M8x35	20	9.0013
18	By-Pass Valve Brass By-Pass Valve GG25 By-Pass Valve SS316	1	3.0018 3.0019 3.0022

FX4

No	DESCRIPTION	PIECES	CODE
19	Nut M10	1	9.0056
20	Hex screw 10x60	1	9.0019
21	Spring guide Steel st37 Spring guide SS316	1	22.0025 22.0026
22	Spring C80 Spring C80 plated Spring SS316	1	22.0001 22.0002 22.0009
23	Pump body GG25	1	7.0019
24	Allen screw M10x25	1	9.0030
25	Cotter pin 10x80	1	9.0052
26	Left Gear GG25 Left Gear 17NiCrMo6-4 Thermal treated	1	2.0037 2.0056
27	Secondary Shaft 42CrMo4 Secondary Shaft 42CrMo4 Thermal Treaded	1	10.0031 10.0079
28	Rotation Shaft 42CrMo4 Rotation Shaft 42CrMo4 Thermal Treaded	1	10.0028 10.0078
29	Front Head GG25	1	7.0058
30	Hex screw M6x20	16	9.0001
31	By-Pass Valve cover (open) GG25	1	3.0038
32	Rear Head GG25	1	7.0070
33	Coupling	1	10.0052
34	Bearing cover (closed) Aluminum	3	7.0033
35	Hex screw 8x16	4	9.0005

FX3



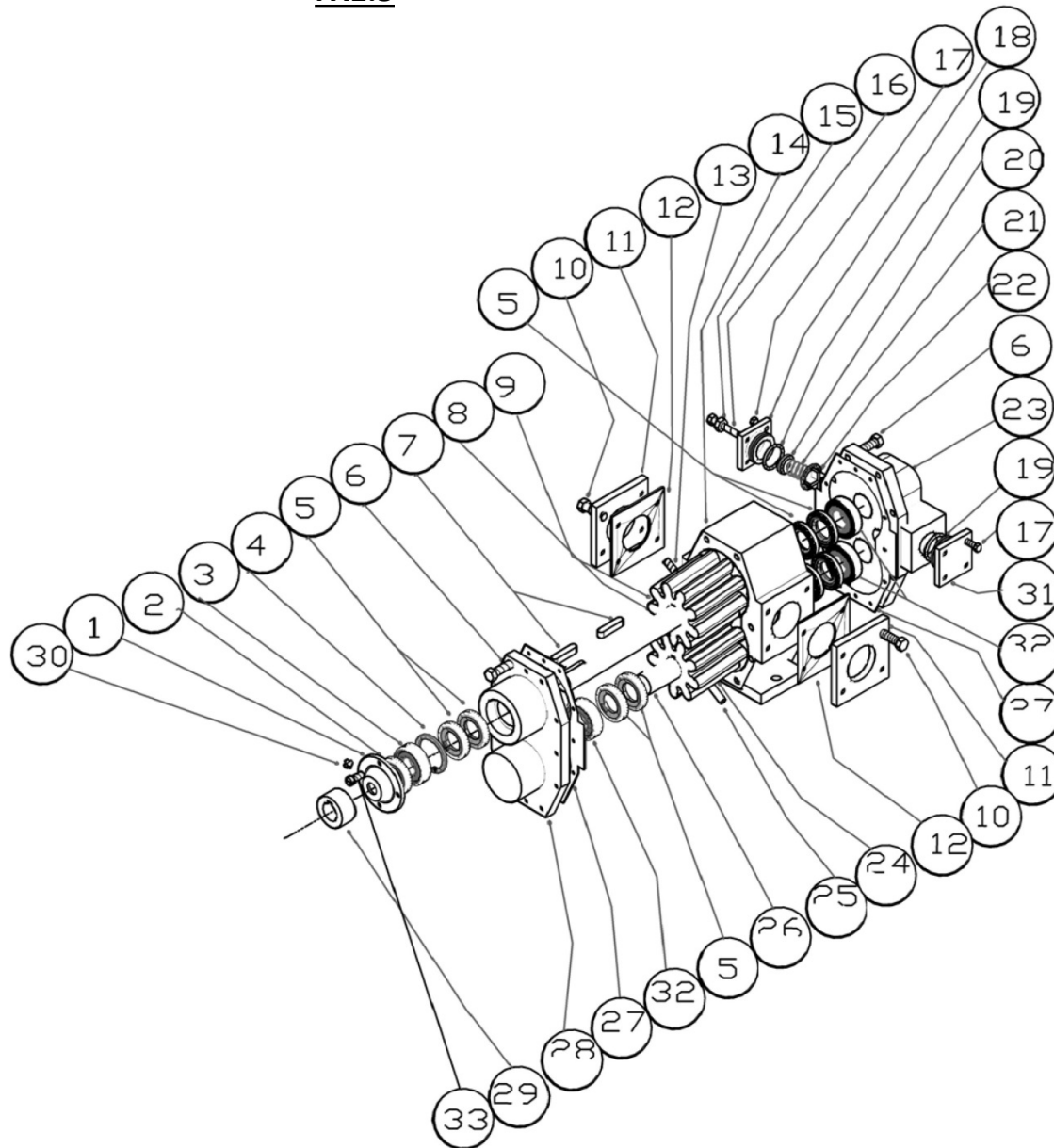
FX3

No	DESCRIPTION	PIECES	CODE
1	Bearing cover (open) Aluminum	1	7.0031
2	Greaser M6	4	9.0045
3	Rotary lip seal 35x45x7 NBR	2	4.0009
4	Ball bearing 6207	4	5.0005
5	Retaining ring B60 (DIN 471)	4	9.0042
6	Lip seal 55x35x8 NBR Lip seal 55x35x8 FKM	4	4.0004 4.0005
7	Cotter pin 8x30	4	9.0050
8	Shaft key 8x7x40	2	9.0060
9	Right Gear GG25 Right Gear 17NiCrMo6-4 Thermal treated	1	2.0031 2.0055
10	Flange weld	2	6.0022
11	Hex screw M12x30	8	9.0023
12	Flange Gasket Rubber Cork Flange Gasket Teflon	2	6.0023 6.0026
13	Gasket	2	6.0027
14	Hex screw M8x25	8	9.0007
15	By-Pass Valve cover (closed) GG25	1	3.0046
16	O-ring 55x49x3 NBR O-ring 55x49x3 FKM	2	4.0045 4.0046
17	Hex screw M8x35	20	9.0013
18	By-Pass Valve Brass By-Pass Valve GG25 By-Pass Valve SS316	1	3.0018 3.0019 3.0022

FX3

No	DESCRIPTION	PIECES	CODE
19	Nut M10	1	9.0056
20	Hex screw 10x60	1	9.0019
21	Spring guide Steel st37 Spring guide SS316	1	22.0025 22.0026
22	Spring C80 Spring C80 plated Spring SS316	1	22.0001 22.0002 22.0009
23	Pump body GG25	1	7.0016
24	Allen screw M10x25	1	9.0030
25	Cotter pin 10x80	1	9.0052
26	Left Gear GG25 Left Gear 17NiCrMo6-4 Thermal treated	1	2.0025 2.0054
27	Secondary Shaft 42CrMo4 Secondary Shaft 42CrMo4 Thermal Treaded	1	10.0025 10.0077
28	Rotation Shaft 42CrMo4 Rotation Shaft 42CrMo4 Thermal Treaded	1	10.0022 10.0076
29	Front Head GG25	1	7.0058
30	Hex screw M6x20	16	9.0001
31	By-Pass Valve cover (open) GG25	1	3.0038
32	Rear Head GG25	1	7.0070
33	Coupling	1	10.0052
34	Bearing cover (closed) Aluminum	3	7.0033
35	Hex screw 8x16	4	9.0005

FX1.5



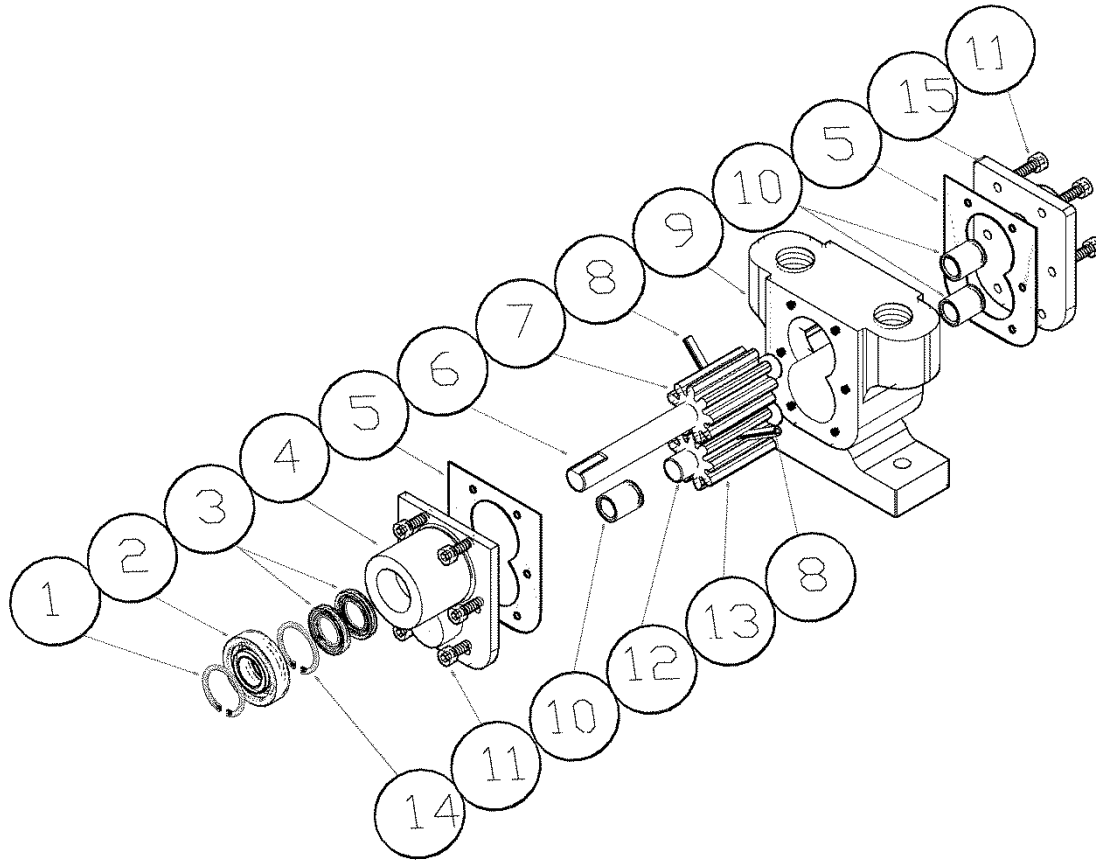
FX1.5

No	DESCRIPTION	PIECES	CODE
1	Bearing cover(open)	1	7.0032
2	Rotary lip seal 25×40×7	1	4.0080
3	Ball bearing 6205	1	5.0020
4	Retaining ring B45 (DIN 471)	2	9.0036
5	Lip seal 25×40×7 NBR	8	4.0080
	Lip seal 25×40×7 FKM		4.0081
6	Hex screw M8×35	16	9.0013
7	Shaft key 8×7×40	2	9.0060
8	Rotation shaft	1	10.0016
	Rotation shaft thermal treated		10.0074
9	Right Gear GG25	1	2.0019
	Right Gear 15CrNi6 thermal treated		2.0024
10	Hex screw M10×30	8	9.0015
11	Flange weld	2	6.0017
12	Flange Gasket	2	6.0018
13	Allen screw M8×16	1	9.0028
14	Pump body	1	7.0013
15	Nut M10	1	9.0056
16	Hex screw M10x70	1	9.0021
17	Hex screw M6×20	8	9.0001
18	Valve cover (open)	1	3.0034

FX1.5

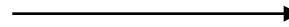
No	DESCRIPTION	PIECES	CODE
19	O-ring 35x30x 2.5 NBR	2	4.0079
	O-ring 35x30 x2.5 FKM		4.0058
20	Spring guide	1	22.0022
21	Spring C80	1	22.0017
	Spring SS302		22.0019
	Spring C80 plated		22.0018
22	Valve Brass	1	3.0013
	Valve GG25		3.0014
	Valve SS316		3.0016
23	Rear Head	1	7.0067
24	Left Gear	1	2.0013
	Left Gear 15CrNi6 thermal treated		2.0018
25	Cotter pin 6x50	1	9.0048
26	Secondary Shaft	1	10.0019
	Secondary Shaft thermal treated		10.0075
27	Gasket	2	6.0033
28	Front Head	1	7.0055
29	Coupling	1	10.0046
30	Greaser M6	1	9.0045
31	Valve cover closed	1	3.0042
32	Ball bearing 61805	6	5.0019
33	Hex screw 8x16	4	9.0005

FX1 - 1.25

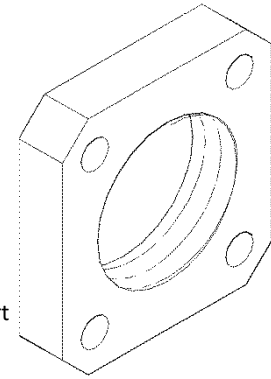


No	DESCRIPTION	PIECES	CODE
1	Retaining ring B42	1	9.0126
2	Ball bearing 6004	1	5.0013
3	Lip seal 20x35x7 NBR Lip seal 20x35x7 FKM	2	4.0059 4.0060
4	Front head GG25	1	7.0052
5	Gasket	2	6.0016
6	Rotation shaft 42CrMo4 Rotation shaft 42CrMo4 Thermal treated	1	10.0010 10.0072
7	Right gear GG25 Right gear 17NiCrMo6-4 Thermal treated	1	2.0007 2.0051
8	Cotter pin 5x30	2	9.0046
9	Pump body GG25	1	7.0010
10	Bearing carbon Bearing brass	3	23.0006 23.0009
11	Allen screw 8x25	12	9.0129
12	Secondary shaft 42CrMo4 Secondary Shaft 42CrMo4 Thermal treated	1	10.0013 10.0073
13	Left gear GG25 Left gear 17NiCrMo6-4 Thermal treated	1	2.0001 2.0050
14	Retaining ring B35	1	9.0127
15	Rear head GG25	1	7.0064

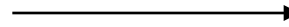
No	DESCRIPTION	PIECES	CODE
35 ¹	Flange NPT (FX4)	2	6.0069
	Flange NPT (FX3)		6.0066
33 ¹	Flange NPT (FX1.5)	2	6.0063



¹For NPT flange connection replace nr10-11 part with NPT flange part nr35-33



No	DESCRIPTION	PIECES	CODE
35 ²	Flange BSPP (FX4)	2	6.0078
	Flange BSPP (FX3)		6.0075
33 ²	Flange BSPP (FX1.5)	2	6.0072



²For BSPP flange connection replace nr10-11part with BSPP flange part nr35-33

