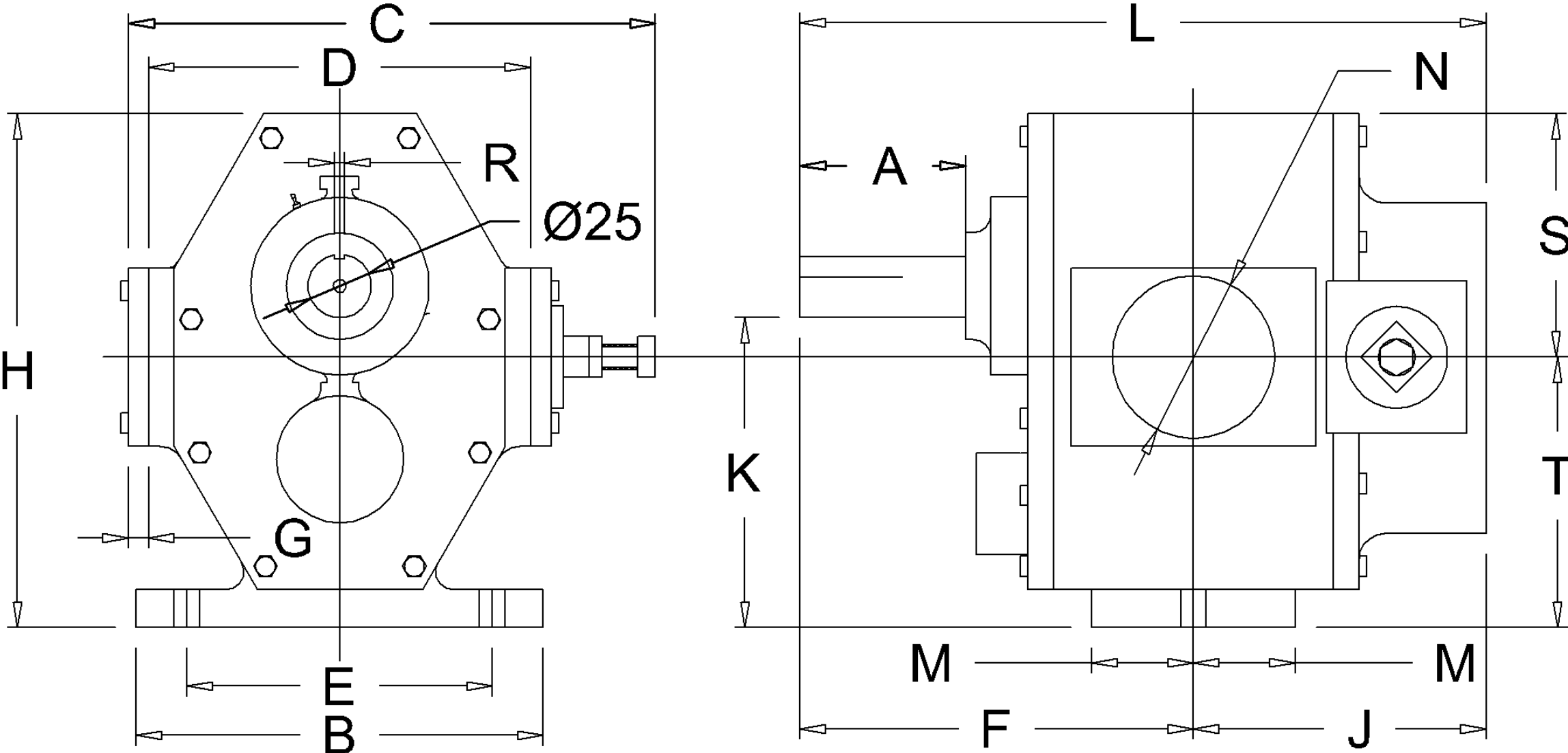


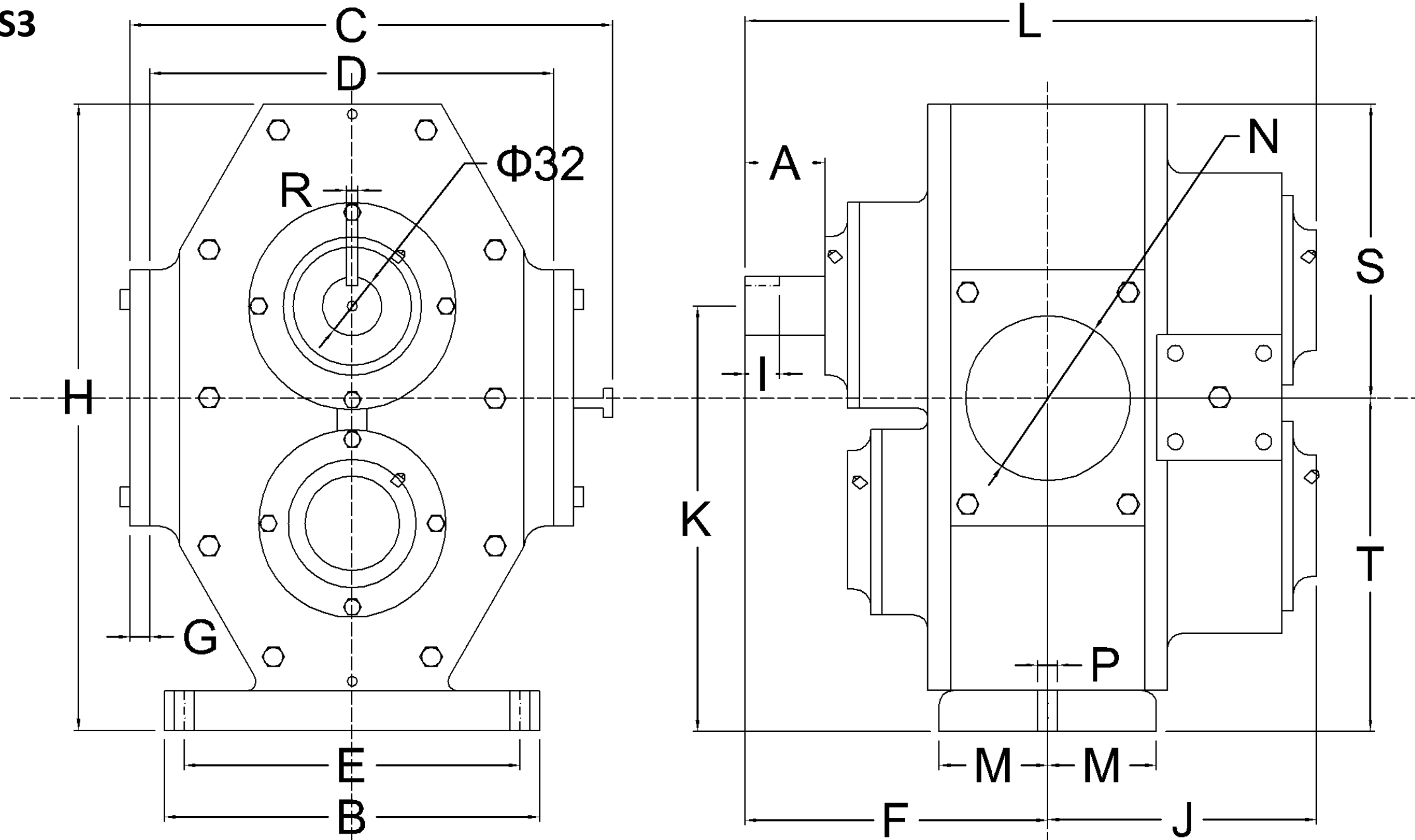
Pump model	A	B	C	D	E	F	G	H	I	J	K	L	M	N	$\Phi$	P	Q	R	S	Weight	
RS1-1,25	mm	30	174	185	112	116	38.5	31.5	156	54	155	118	222	22	14	20	123	155	66	1,2	11kg
	inch	1,18	6,85	7,28	4,4	4,56	1,51	1,24	6,14	2,12	6,10	4,64	8,74	0,86	0,55	0,79	4,84	6,10	2,6	0,47	24lbs

# RS1.5

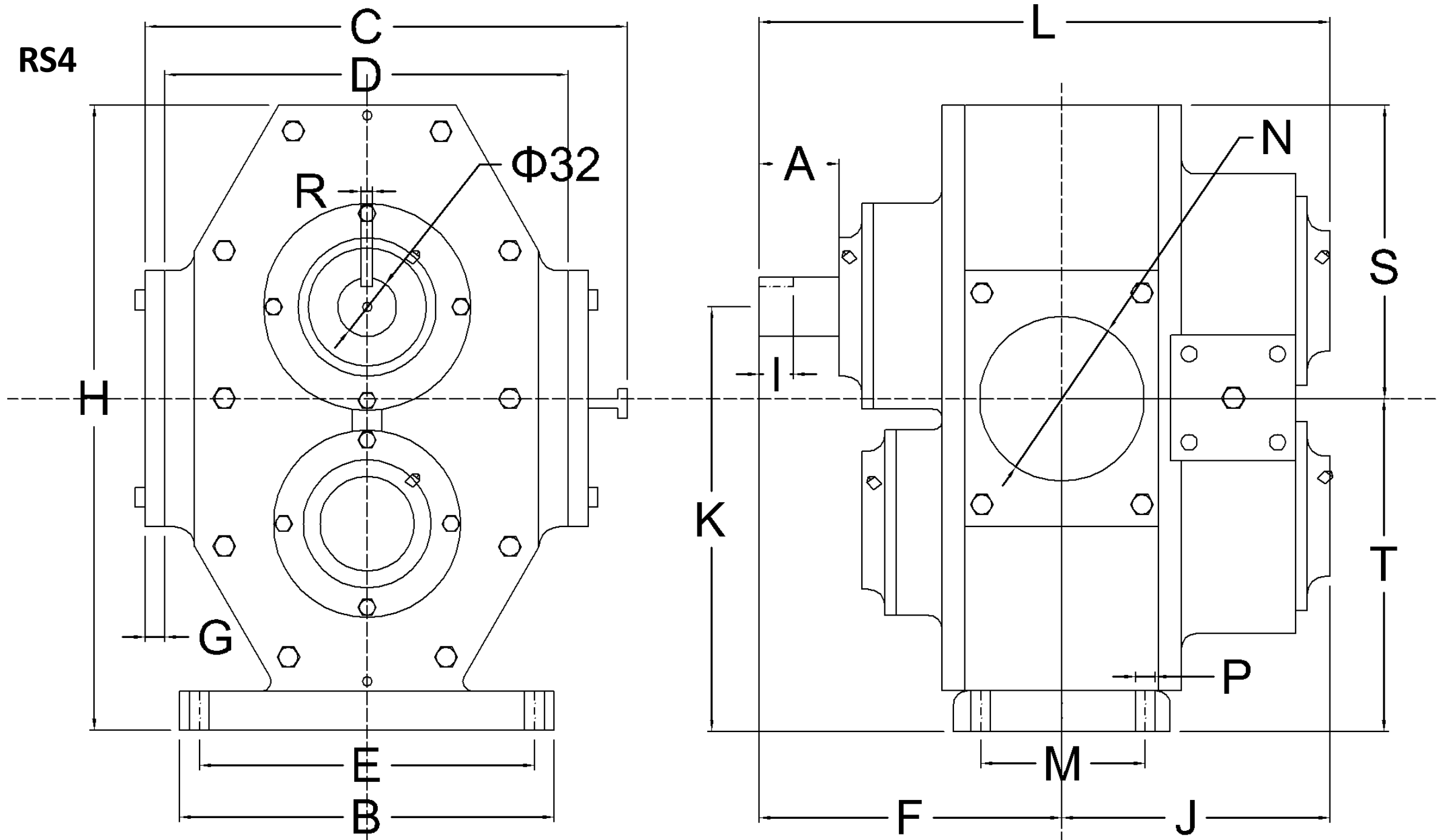


Pump model		A	B	C	D	E	F	G	H	I	J	K	L	M	N	$\Phi$	P	R	S	T	Weight
RS1.5	mm	57	162	245	170	122	189.5	10	221	40	108.5	153	298	42	45	24	15.5	8	102	118.5	29Kg
	inch	2.24	6.38	9.64	6.7	4.8	7.46	0.39	8.7	1.57	4.27	6.02	11.73	1.65	1.77	0.94	0.61	0.31	4.01	4.66	64lbs

RS3



Pump model		A	B	C	D	E	F	G	H	I	J	K	L	M	N	Φ	P	R	S	T	Weight
RS3	mm	71	198	235	206	160	241	11.5	317	40	176	223	417	55	73	32	17.5	8	148.5	170.5	72Kg
	inch	2.79	7.79	9.25	8.11	6.3	9.49	0.45	12.48	1.57	6.92	8.78	16.41	2.16	2.87	1.26	0.69	0.31	5.84	67.12	159lbs



Pump model		A	B	C	D	E	F	G	H	I	J	K	L	M	N	$\Phi$	P	R	S	T	Weight
RS4	mm	71	198	235	206	160	241	14.5	317	40	197.5	223	465	119	115	32	15.5	8	148.5	170.5	84.5Kg
	inch	2.79	7.79	9.25	8.11	6.3	9.49	0.57	12.48	1.57	7.77	8.78	18.3	4.68	4.52	1.26	0.61	0.31	5.84	67.12	186lbs