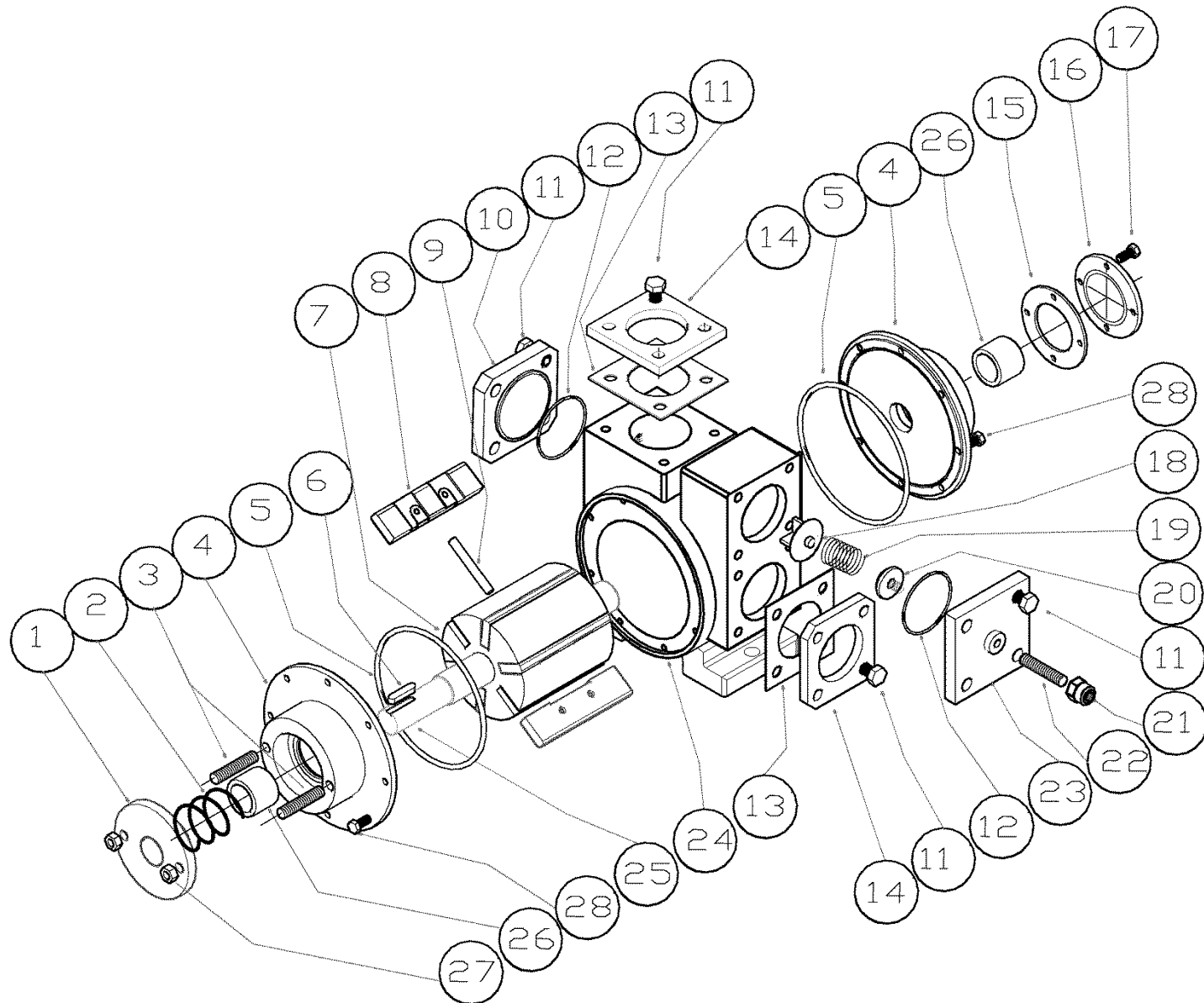


# PART LIST

## DNG2, DNG2.5, DNG3



### DNG3

No	DESCRIPTION	PIECES	CODE
1	Packing follower st37	1	7.0116 7.0117
2	Nipper set PTFE Nipper set CARBON	4	4.0022 4.0023
3	Rod M10	2	9.0075
4	Head GGG50	2	7.0088
5	O-ring 221×215×3 FEP O-ring 221×215×3 FKM	2	4.0044 4.0043
6	Shaft key 10×8×50 Shaft key 10×8×50 SS316	1	9.0062 9.0063
7	Rotor GGG50	1	1.0010
8	Vanes PTFE Vanes VOLTIS Vanes TECAPET	6	8.0009 8.0007 8.0008
9	Push rod Ø8 SS316	3	10.0036
10	Two-way outlet cover GGG50	1	-
11	Hex screw M12x30	12	9.0023
12	O-ring 100×94×3 FEP O-ring 100×94×3 FKM	2	4.0041 4.0040
13	Flange Gasket Rubber Cork Flange Gasket Teflon	2	6.0012 6.0015
14 <sup>1,2</sup>	Flange weld	2	6.0011

### DNG3

No	DESCRIPTION	PIECES	CODE
15	Round Gasket Rubber Cork Round Flange Teflon	1	6.0056 6.0057
16	Bearing cover (closed) GGG50	1	7.0152
17	Hex screw M8×16	8	9.0005
18	By-pass Valve GGG50 By-pass Valve SS316	2	3.0010 3.0012
19	Spring C80 Spring SS316 Spring C80 plated	1	22.0001 22.0009 22.0002
20	Spring guide Steel st37 Spring guide SS316	1	22.0007 22.0009
21	By-pass Valve nut M28 By-pass Valve nut M28 SS316	1	3.0031 3.0033
22	Screw M14×80 Screw M14×80 SS316	1	9.0269 9.0270
23	By-pass Valve cover GGG50	1	7.0108
24	Pump body GGG50	1	7.0091
25	Shaft 42CrMo4 Shaft SS316	1	10.0007 10.0009
26	Bearing Carbon Bearing Brass	2	23.0005 23.0014
27	Nut M10	2	9.0056
28	Hex screw M10X40	20	9.0017

<sup>4</sup>For SLD3 model there is no two-way outlet ability therefore part nr 12 must be removed along with the corresponding o-ring and hex screw .

## DNG2.5

No	DESCRIPTION	PIECES	CODE
1	Packing follower st37	1	7.0114 7.0115
2	Nipper set PTFE Nipper set CARBON	1	4.0020 4.0021
3	Rod M10	2	9.0075
4	Head GGG50	2	7.0087
5	O-ring 168×162×3 FEP O-ring 168×162×3 FKM	2	4.0035 4.0034
6	Shaft key 8×7×40 Shaft key 8×7×40 SS316	1	9.0060 9.0061
7	Rotor GGG50	1	1.0006
8	Vanes PTFE Vanes VOLTIS Vanes TECAPET	6	8.0006 8.0004 8.0005
9	Push rod Ø8 SS316	3	10.0035
10	Two-way outlet cover GGG50	1	7.0097
11	Hex screw M12x30	16	9.0023
12	O-ring 85×79×3 FEP O-ring 85×79×3 FKM	2	4.0038 4.0037
13	Flange Gasket Rubber Cork Flange Gasket Teflon	1	6.0007 6.0010
14 <sup>1,2</sup>	Flange weld	2	6.0006

## DNG2.5

No	DESCRIPTION	PIECES	CODE
15	Round Gasket Rubber Cork Round Gasket Teflon	1	6.0054 6.0055
16	Bearing cover (closed) GGG50	1	7.0151
17	Hex screw M8×16	8	9.0005
18	By-pass Valve GGG50 By-pass Valve SS316	2	3.0002 3.0004
19	Spring C80 Spring SS316 SpringC80 plated	1	22.0004 22.0011 22.0005
20	Spring guide Spring guide SS316	1	22.0008 22.0015
21	By-pass Valve nut M22 By-pass Valve nut M22 SS316	1	3.0025 3.0027
22	Allen screw M12×60 Allen screw M12×60 SS316	1	9.0032 9.0033
23	By-pass Valve cover GGG50	1	7.0107
24	Pump body GGG50	1	7.0090
25	Shaft 42CrMo4 Shaft SS316	1	10.0004 10.0006
26	Bearing Carbon Bearing Brass	2	23.0004 23.0013
27	Nut M10	2	9.0056
28	Hex screw M8X30	16	9.0011

## DNG2

No	DESCRIPTION	PIECES	CODE
1	Packing follower st37	1	7.0112 7.0113
2	Nipper set PTFE Nipper set CARBON	1	4.0020 4.0021
3	Rod M10	2	9.0075
4	Head GGG50	2	7.0086
5	O-ring 151×145×3 FEP O-ring 151×145×3 FKM	2	4.0029 4.0028
6	Shaft key 8×7×40 Shaft key 8×7×40 SS316	1	9.0060 9.0061
7	Rotor GGG50	1	1.0002
8	Vanes PTFE Vanes VOLTIS Vanes TECAPET	6	8.0003 8.0001 8.0002
9	Push rod Ø8 SS316	3	10.0034
10	Two-way outlet cover GGG50	1	7.0096
11	Hex screw M10x30	16	9.0015
12	O-ring 70×64×3 FEP O-ring 70×64×3 FKM	2	4.0032 4.0031
13	Flange Gasket Rubber Cork Flange Gasket Teflon	1	6.0002 6.0005
14 <sup>1,2</sup>	Flange weld	2	6.0001

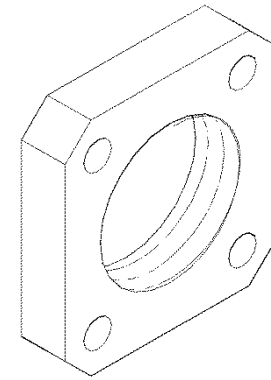
## DNG2

No	DESCRIPTION	PIECES	CODE
15	Round Gasket Rubber Cork Round Gasket Teflon	1	6.0052 6.0053
16	Bearing cover (closed) GGG50	1	7.0150
17	Hex screw M8×16	8	9.0005
18	By-pass Valve GGG50 By-pass Valve SS316	2	3.0002 3.0004
19	Spring C80 Spring SS316 SpringC80 plated	1	22.0004 22.0011 22.0005
20	Spring guide Spring guide SS316	1	22.0008 22.0015
21	By-pass Valve nut M22 By-pass Valve nut M22 SS316	1	3.0025 3.0027
22	Allen screw M12×60 Allen screw M12×60 SS316	1	9.0032 9.0033
23	By-pass Valve cover GGG50	1	7.0106
24	Pump body GGG50	1	7.0089
25	Shaft 42CrMo4 Shaft SS316	1	10.0001 10.0003
26	Bearing Carbon Bearing Brass	2	23.0003 23.0012
27	Nut M10	2	9.0056
28	Hex screw M8X30	12	9.0011

No	DESCRIPTION	PIECES	CODE
28 <sup>1</sup>	Flange NPT(DNG3)	2	6.0040
	Flange NPT(DNG2.5)		6.0037
	Flange NPT(DNG2)		6.0034



<sup>1</sup>For NPT flange connection replace nr14 part with NPT flange part nr30



No	DESCRIPTION	PIECES	CODE
29 <sup>2</sup>	Flange BSPP(DNG3)	2	6.0049
	Flange BSPP(DNG2.5)		6.0046
	Flange BSPP(DNG2)		6.0043



<sup>2</sup>For BSPP flange connection replace nr14 part with BSPP flange part nr31

