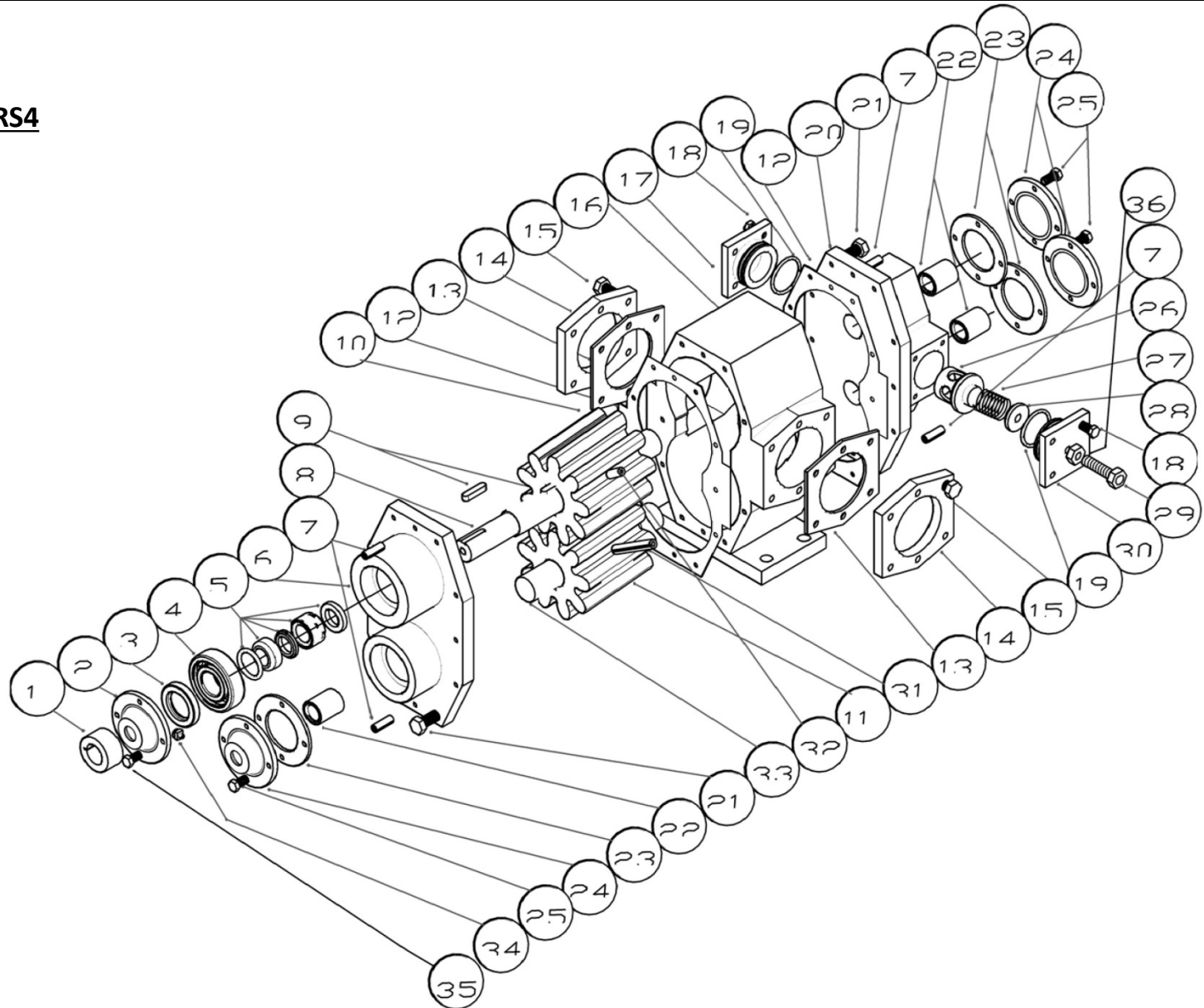


RS4



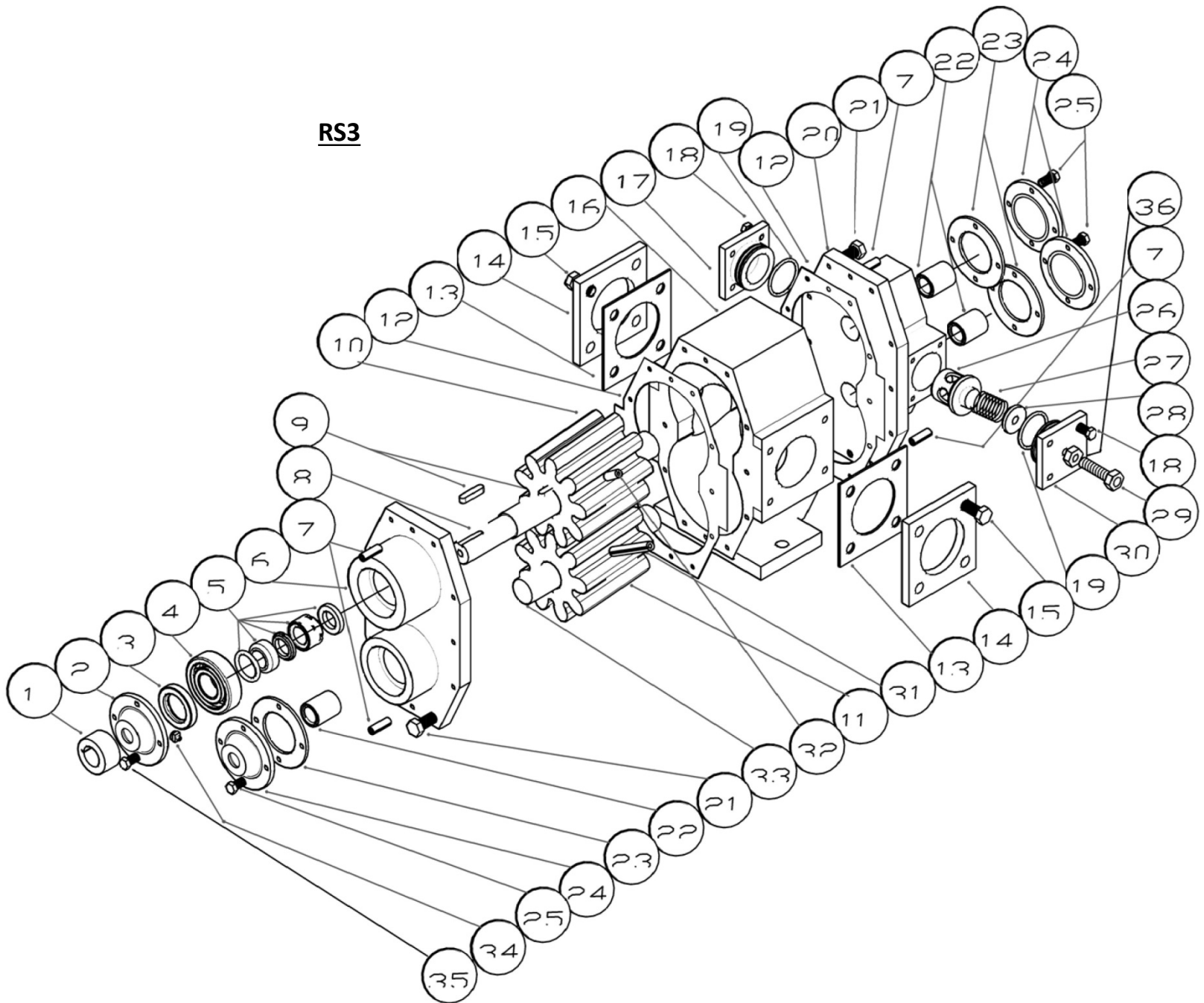
RS4

No	DESCRIPTION	PIECES	CODE
1	Coupling	1	10.0052
2	Bearing cover (open) Aluminum	1	7.0031
3	Rotary lip seal 35x45x7 NBR	1	4.0009
4	Ball bearing 6207	1	5.0005
5	Mechanical seal 502 Mechanical seal 59U	1	4.0015 4.0063
6	Front Head GG25	1	7.0058
7	Cotter pin 8x30	4	9.0050
8	Rotation Shaft 42CrMo4 Rotation Shaft 42CrMo4 Thermal treated	1	10.0028 10.0078
9	Shaft key 8x7x40	2	9.0060
10	Right Gear GG25 Right Gear 17NiCrMo6-4 Thermal treated	1	2.0043 2.0057
11	Left Gear GG25 Left Gear 17NiCrMo6-4 Thermal treated	1	2.0037 2.0056
12	Gasket	2	6.0027
13	Flange Gasket Rubber Cork Flange Gasket Teflon	2	6.0029 6.0032
14	Flange weld	2	6.0028
15	Hex screw M12x35	12	9.0009
16	Pump body GG25	1	7.0019
17	By-Pass Valve cove (closed) GG25	1	3.0046
18	Hex screw M8x25	8	9.0007

RS4

No	DESCRIPTION	PIECES	CODE
19	O-ring 55x49x3 FKM O-ring 55x49x3 NBR O-ring 55x49x3 PTFE encapsulated	2	4.0046 4.0045 4.0047
20	Rear Head GG25	1	7.0070
21	Hex screw M8x35	20	9.0013
22	Bearing Carbon Bearing Brass	3	23.0008 23.0011
23	Round Gasket Round Gasket PTFE	3	6.0061 6.0062
24	Bearing cover (closed) Aluminum	3	7.0033
25	Hex screw M6x20	16	9.0001
26	By-Pass Valve Brass By-Pass Valve GG25 By-Pass Valve SS316	1	3.0018 3.0019 3.0022
27	Spring C80 Spring C80 plated Spring SS316	1	22.0001 22.0002 22.0009
28	Spring guide st37 Spring guide SS316	1	22.0025 22.0026
29	Hex screw 10x60	1	9.0019
30	By-Pass Valve cover (open) GG25	1	3.0038
31	Cotter pin 10x80	1	9.0052
32	Allen screw M10x25	1	9.0030
33	Secondary Shaft 42CrMo4 Secondary Shaft 42CrMo4 Thermal Treated	1	10.0031 10.0079
34	Greaser M6	1	9.0045
35	Hex screw 8x16	4	9.0005
36	Nut M10	1	9.0056

RS3

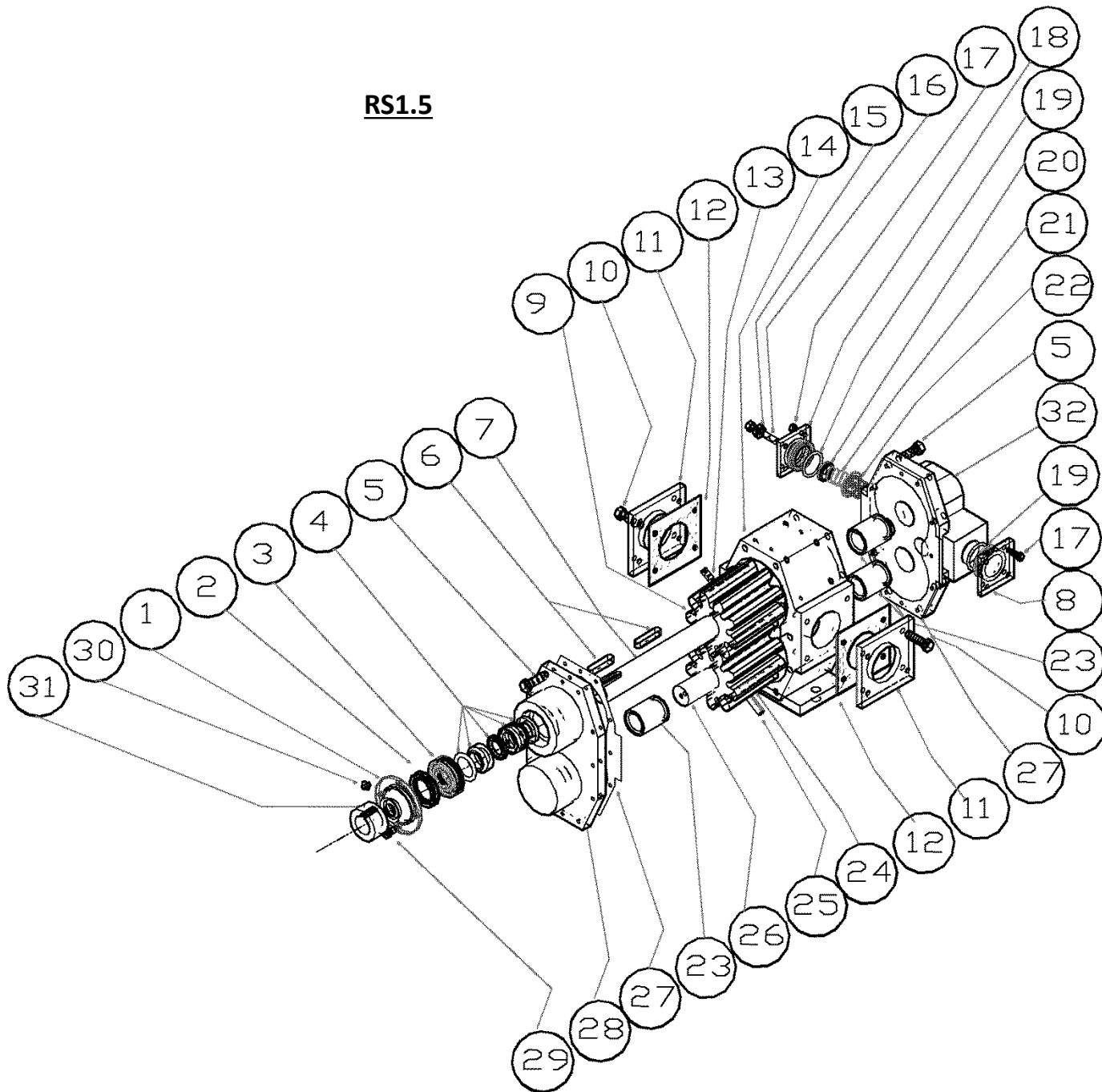


RS3**RS3**

No	DESCRIPTION	PIECES	CODE
1	Coupling	1	10.0052
2	Bearing cover (open) Aluminum	1	7.0031
3	Rotary lip seal 35x45x7	1	4.0009
4	Ball bearing 6207	1	5.0005
5	Mechanical seal 502 Mechanical seal 59U	1	4.0015 4.0063
6	Front Head GG25	1	7.0058
7	Cotter pin 8x30	4	9.0050
8	Rotation Shaft 42CrMo4 Rotation Shaft 42CrMo4 Thermal treated	1	10.0022 10.0076
9	Shaft key 8x7x40	2	9.0060
10	Right Gear GG25 Right Gear 17NiCrMo6-4 Thermal treated	1	2.0031 2.0055
11	Left Gear GG25 Left Gear 17NiCrMo6-4 Thermal treated	1	2.0025 2.0054
12	Gasket	2	6.0027
13	Flange Gasket Rubber Cork Flange Gasket Teflon	2	6.0023 6.0026
14	Flange weld	2	6.0022
15	Hex screw M12x30	12	9.0023
16	Pump body GG25	1	7.0016
17	By-Pass Valve cover (closed) GG25	1	3.0046
18	Hex screw M8x25	8	9.0007

No	DESCRIPTION	PIECES	CODE
19	O-ring 55x49x3 FKM O-ring 55x49x3 NBR O-ring 55x49x3 PTFE encapsulated	2	4.0046 4.0045 4.0047
20	Rear Head GG25	1	7.0070
21	Hex screw M8x35	20	9.0013
22	Bearing Carbon Bearing Brass	3	23.0008 23.0011
23	Round Gasket Round Gasket PTFE	3	6.0061 6.0062
24	Bearing cover (closed) Aluminum	3	7.0033
25	Hex screw M6x20	16	9.0001
26	By-Pass Valve Brass By-Pass Valve GG25 By-Pass Valve SS316	1	3.0018 3.0019 3.0022
27	Spring C80 Spring C80 plated Spring SS316	1	22.0001 22.0002 22.0009
28	Spring guide st37 Spring guide SS316	1	22.0025 22.0026
29	Hex screw 10x60	1	9.0019
30	By-Pass Valve cover (open) GG25	1	3.0038
31	Cotter pin 10x80	1	9.0052
32	Allen screw M10x25	1	9.0030
33	Secondary Shaft 42CrMo4 Secondary Shaft 42CrMo4 Thermal Treated	1	10.0025 10.0077
34	Greaser M6	1	9.0045
35	Hex screw 8x16	4	9.0005
36	Nut M10	1	9.0056

RS1.5

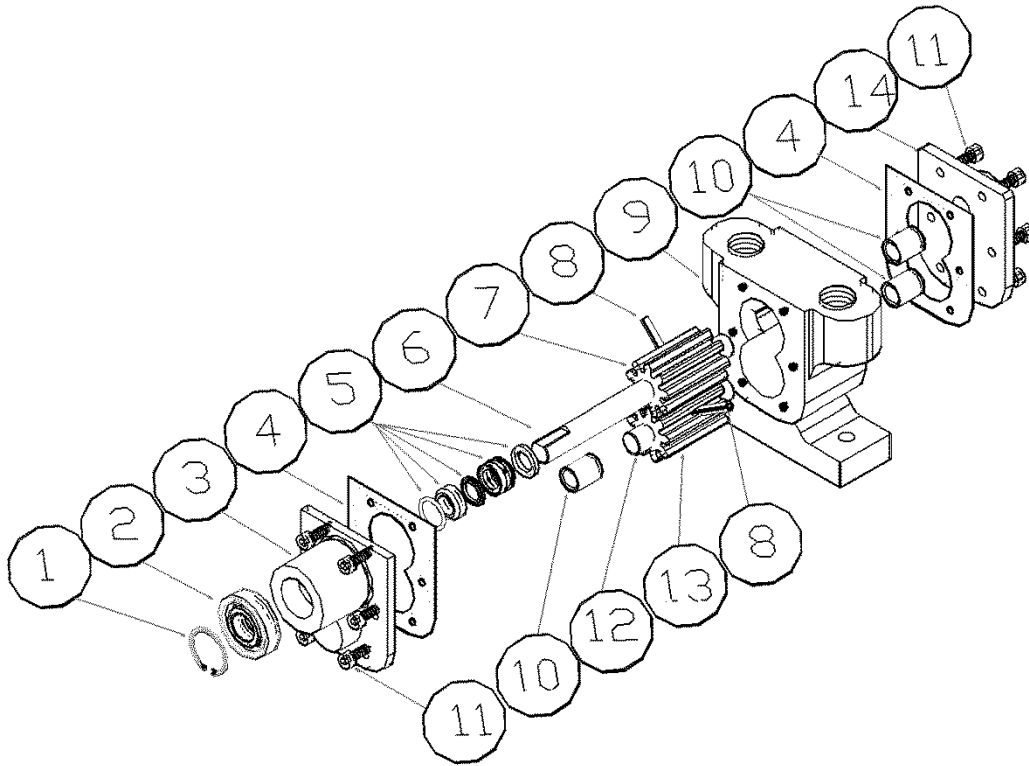


RS1.5

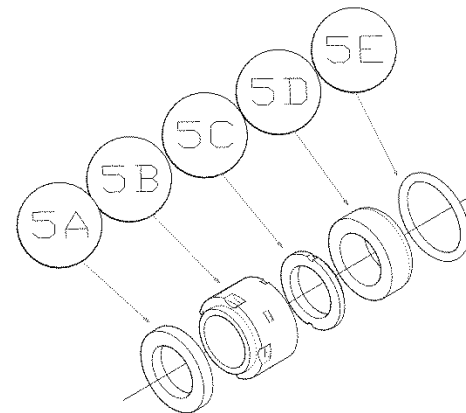
No	DESCRIPTION	PIECES	CODE
1	Bearing cover (open) Aluminum	1	7.0032
2	Rotary lip seal 25x40x6	1	4.0073
3	Ball bearing 6205	1	5.0020
4	Mechanical seal 502 Mechanical seal 59U	1	4.0013 4.0062
5	Hex screw M8x35	16	9.0013
6	Shaft key 8x7x40	2	9.0060
7	Rotation shaft 42CrMo4 Rotation shaft 42CrMo4 Thermal treated	1	10.0016 10.0074
8	By-Pass Valve cover (closed) GG25	1	3.0042
9	Right Gear GG25 Right Gear 17NiCrMo6-4 Thermal treated	1	2.0019 2.0053
10	Hex screw M10x30	8	9.0015
11	Flange weld	2	6.0017
12	Flange Gasket Rubber Cork Flange Gasket Teflon	2	6.0018 6.0021
13	Allen screw M8x16	1	9.0028
14	Pump body GG25	1	7.0013
15	Nut M10	1	9.0056
16	Hex screw M10x70	1	9.0021
17	Hex screw M6x20	8	9.0001
18	By-Pass Valve cover (open) GG25	1	3.0034

No	DESCRIPTION	PIECES	CODE
19	O-ring 35x30x2.5 NBR O-ring 35x30x2.5 FKM O-ring 35x30x2.5PTFE encapsulated	2	4.0079 4.0058 4.0082
20	Spring guide st37 Spring guide SS316	1	22.0022 22.0023
21	Spring C80 Spring C80 plated Spring SS316	1	22.0017 22.0018 22.0021
22	By-Pass Valve Brass By-Pass Valve GG25 By-Pass Valve SS316	1	3.0013 3.0014 3.0016
23	Bearing Carbon Bearing Brass	3	23.0007 23.0010
24	Left Gear GG25 Left Gear 17NiCrMo6-4 Thermal treated	1	2.0013 2.0052
25	Cotter pin 6x50	1	9.0048
26	Secondary Shaft 42CrMo4 Secondary Shaft 42CrMo4 Thermal treated	1	10.0019 10.0075
27	Gasket	2	6.0033
28	Front Head GG25	1	7.0055
29	Screw M6x15	1	9.0128
30	Greaser M6	1	9.0045
31	Coupling	1	10.0046
32	Rear Head GG25	1	7.0067

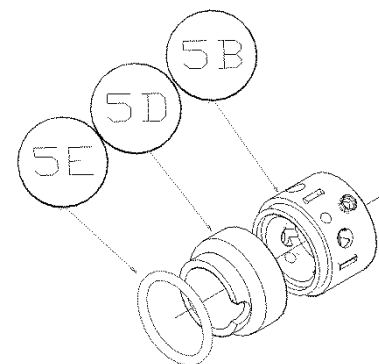
RS1 - 1.25



No	DESCRIPTION	PIECES	CODE
1	Retaining ring B42	1	9.0126
2	Ball bearing 6004	1	5.0013
3	Front head GG25	1	7.0052
4	Gasket	2	6.0016
5	Mechanical seal 502 Mechanical seal 59U	1	4.0012 4.0061
6	Rotation shaft 42CrMo4 Rotation shaft 42CrMo4 Thermal treated	1	10.0010 10.0072
7	Right gear GG25 Right gear 15CrNi6 thermal treated	1	2.0007 2.0051
8	Cotter pin 5x30	2	9.0046
9	Pump body GG25	1	7.0010
10	Bearing brass Bearing carbon	3	23.0009 23.0006
11	Allen screw 8x25	12	9.0129
12	Secondary shaft 42CrMo4 Secondary shaft 42CrMo4 Thermal treated	1	10.0013 10.0073
13	Left gear GG25 Left gear 15CrNi6 thermal treated	1	2.0001 2.0050
14	Rear head GG25	1	7.0064



⁴Type 502 mechanical seal EN 12756



⁵Type 59U mechanical seal EN 12756

No	DESCRIPTION	PIECES	CODE
5A	Intermediate washer	1	4.0015(502)RS4
5B	Secondary seal	1	4.0015(502)RS3 4.0013(502)RS1.5
5C	Rotating ring	1	4.0012(502)RS1-1.25 4.0063(59U)RS4
5D	Stationary ring	1	4.0063(59U)RS3 4.0062(59U)RS1.5
5E	O-ring	1	4.0061(59U)RS1-1.25