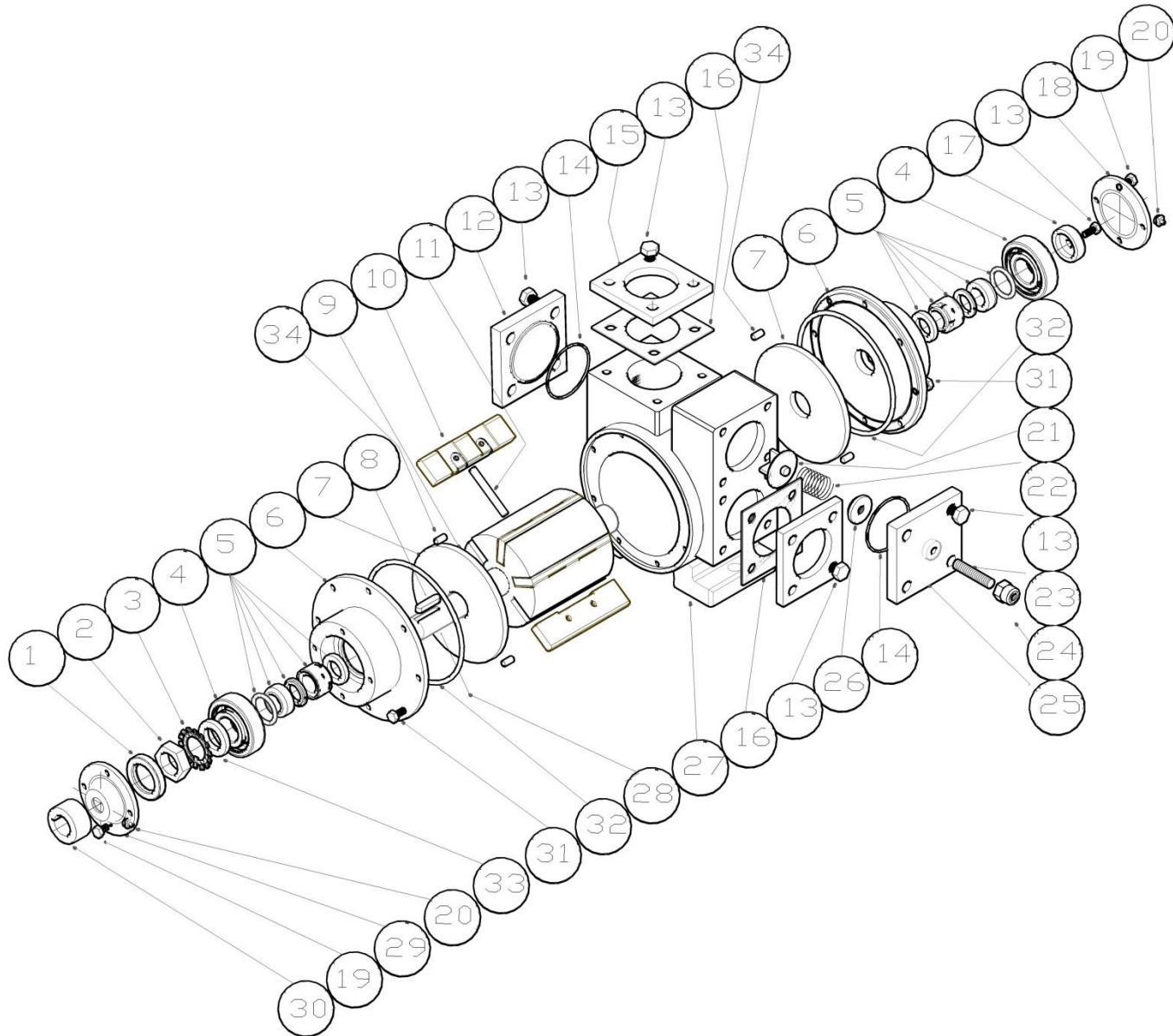


PART LIST

SAC2, SAC2.5, SAC3



SAC3

No	DESCRIPTION	PIECES	CODE
1	Rotary lip seal 35x55x8 NBR	2	4.0004
2	Shaft nut SS316 Shaft nut SS304	1	9.0081 9.0262
3	Retaining ring Self Locking	1	9.0078
4	Ball bearing 6308	2	5.0003
5 ^{4,5}	Mechanical seal 59U Mechanical seal 502	2	4.0064 4.0016
6	Head SS316 Head SS304	2	7.0030 7.0029
7	Disk Carbon	2	6.0056
8	Shaft key 10x8x50	1	9.0063
9	Rotor SS316 Rotor SS304	1	1.0012 1.0011
10	Vanes PTFE Vanes VOLTIS Vanes TECAPET	6	8.0021 8.0007 8.0020
11	Push rod Ø8 SS316	3	10.0036
12 ⁶	Two-way outlet cover SS316 Two-way outlet cover SS304	1	-
13	Hex screw M12x30	16	9.0024
14	O-ring 100x94x3 FEP O-ring 100x94x3 FKM	2	4.0041 4.0040
15 ^{2,3}	Flange weld SS316 Flange weld SS304	2	6.0014 6.0013
16	Flange Gasket Teflon Flange Gasket Rubber Cork	2	6.0015 6.0012

SAC3

No	DESCRIPTION	PIECES	CODE
17	Support ring SS316 Support ring SS304	1	9.0084 9.0268
18 ¹	Bearing cover (closed) SS316 Bearing cover (closed) SS304	1	7.0143 7.0142
19	Hex screw M8x16	8	9.0006
20	Greaser M6	2	9.0045
21	By-Pass Valve SS316 By-Pass Valve SS304	1	3.0012 3.0011
22	Spring SS316 Spring SS304	1	22.0009 22.0003
23	Screw M14x80 SS316	1	9.0270
24	By-Pass Valve nut M28 SS316 By-Pass Valve nut M28 SS304	1	3.0033 3.0032
25	By-Pass Valve cover SS316 By-Pass Valve cover SS304	1	7.0042 7.0041
26	Spring guide SS316 Spring guide SS304	1	22.0013 22.0014
27	Pump body SS316 Pump body SS304	1	7.0009 7.0008
28	Shaft SS316 Shaft SS304 Double shaft SS316 Double shaft SS304	1	10.0009 10.0008 10.0065 10.0064
29	Bearing cover (open) SS316 Bearing cover (open) SS304	1	7.0137 7.0136
30	Coupling SS316 Coupling SS304	1	10.0045 10.0044
31	Hex screw M10x40	20	9.0018
32	O-ring 221x215x3 FEP O-ring 221x215x3 FKM	2	4.0044 4.0043
33	Intermediate Washer 55x39x3	1	9.0265
34	Locating pin	4	9.0298

⁶For SAC3 model there is no two-way outlet ability therefore part nr 12 must be removed along with the corresponding o-ring and hex screw.

SAC2.5

No	DESCRIPTION	PIECES	CODE
1	Rotary lip seal 30x45x7 NBR	2	4.0001
2	Shaft nut SS316 Shaft nut SS304	1	9.0080 9.0261
3	Retaining ring Self Locking	1	9.0077
4	Ball bearing 6307	2	5.0002
5 ^{4,5}	Mechanical seal 59U Mechanical seal 502	2	4.0063 4.0015
6	Head SS316 Head SS304	2	7.0027 7.0026
7	Disk Carbon	2	6.0054
8	Shaft key 8x7x40	1	9.0061
9	Rotor SS316 Rotor SS304	1	1.0008 1.0007
10	Vanes PTFE Vanes VOLTIS Vanes TECAPET	6	8.0019 8.0004 8.0018
11	Push rod Ø8 SS316	3	10.0035
12	Two-way outlet cover SS316 Two-way outlet cover SS304	1	7.0048 7.0047
13	Hex screw M12x30	17	9.0024
14	O-ring 85x79x3 FEP O-ring 85x79x3 FKM	2	4.0038 4.0037
15 ^{2,3}	Flange weld SS316 Flange weld SS304	2	6.0009 6.0008
16	Flange Gasket Teflon Flange Gasket Rubber Cork	2	6.0010 6.0007
17	Support ring SS316 Support ring SS304	1	9.0083 9.0267

SAC2.5

No	DESCRIPTION	PIECES	CODE
18 ¹	Bearing cover(closed) SS316 Bearing cover (closed) SS304	1	7.0141 7.0140
19	Hex screw M8x16	8	9.0006
20	Greaser M6	2	9.0045
21	By-Pass Valve SS316 By-Pass Valve SS304	1	3.0004 3.0003
22	Spring SS316 Spring SS304	1	22.0011 22.0006
23	Allen screw M12x60	1	9.0033
24	By-Pass Valve nut M22 SS316 By-Pass Valve nut M22 SS304	1	3.0027 3.0026
25	By-Pass Valve cover SS316 By-Pass Valve cover SS304	1	7.0039 7.0038
26	Spring guide SS316 Spring guide SS304	1	22.0015 22.0016
27	Pump body SS316 Pump body SS304	1	7.0006 7.0005
28	Shaft SS316 Shaft SS304 Double shaft SS316 Double shaft SS304	1	10.0006 10.0005 10.0062 10.0061
29	Bearing cover (open) SS316 Bearing cover (open) SS304	1	7.0135 7.0134
30	Coupling SS316 Coupling SS304	1	10.0042 10.0041
31	Hex screw M8x30	16	9.0012
32	O-ring 168x162x3 FEP O-ring 168x162x3 FKM	2	4.0035 4.0034
33	Intermediate Washer 49x34x3	1	9.0264
34	Locating pin	4	9.0297

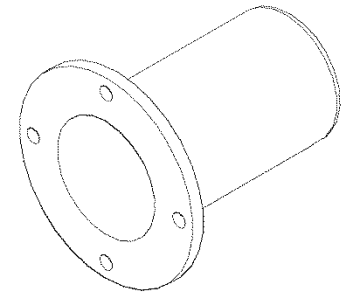
SAC2

No	DESCRIPTION	PIECES	CODE
1	Rotary lip seal 28×45×7 NBR	2	4.0118
2	Shaft nut SS316 Shaft nut SS304	1	9.0079 9.0260
3	Retaining ring Self Locking	1	9.0076
4	Ball bearing 6206	2	5.0001
5 ^{4,5}	Mechanical seal 59U Mechanical seal 502	2	4.0017 4.0014
6	Head SS316 Head SS304	2	7.0024 7.0023
7	Disk Carbon	2	6.0052
8	Shaft key 8×7×40	1	9.0061
9	Rotor SS316 Rotor SS304	1	1.0004 1.0003
10	Vanes PTFE Vanes VOLTIS Vanes TECAPET	6	8.0017 8.0001 8.0016
11	Push rod Ø8 SS316	3	10.0034
12	Two-way outlet cover SS316 Two-way outlet cover SS304	1	7.0045 7.0044
13	Hex screw M10×25	17	9.0016
14	O-ring 70×64×3 FEP O-ring 70×64×3 FKM	2	4.0032 4.0031
15 ^{2,3}	Flange weld SS316 Flange weld SS304	2	6.0004 6.0003
16	Flange Gasket Teflon Flange Gasket Rubber Cork	2	6.0005 6.0002
17	Support ring SS316 Support ring SS304	1	9.0082 9.0266

SAC2

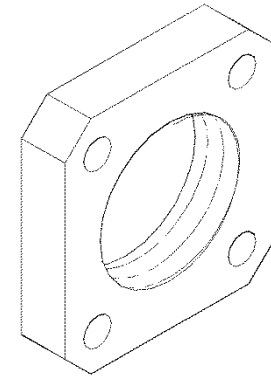
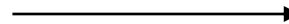
No	DESCRIPTION	PIECES	CODE
18 ¹	Bearing cover (closed) SS316 Bearing cover (closed) SS304	1	7.0139 7.0138
19	Hex screw M8×16	8	9.0006
20	Greaser M6	2	9.0045
21	By-Pass Valve SS316 By-Pass Valve SS304	1	3.0004 3.0003
22	Spring SS316 Spring SS304	1	22.0011 22.0006
23	Allen screw M12×60	1	9.0033
24	By-Pass Valve nut M22 SS316 By-Pass Valve nut M22 SS304	1	3.0027 3.0026
25	By-Pass Valve cover SS316 By-Pass Valve cover SS304	1	7.0036 7.0035
26	Spring guide SS316 Spring guide SS304	1	22.0015 22.0016
27	Pump body SS316 Pump body SS304	1	7.0003 7.0002
28	Shaft SS316 Shaft SS304 Double shaft SS316 Double shaft SS304	1	10.0003 10.0002 10.0059 10.0058
29	Bearing cover (open) SS316 Bearing cover (open) SS304	1	7.0133 7.0132
30	Coupling SS316 Coupling SS304	1	10.0039 10.0038
31	Hex screw M8×30	12	9.0012
32	O-ring 151x145x3 FEP O-ring 151x145x3 FKM	2	4.0029 4.0028
33	Intermediate Washer 40x29.3x3	1	9.0263
34	Locating pin	4	9.0297

No	DESCRIPTION	PIECES	CODE
35 ¹	Shaft cover (SAC3)	1	10.0068
	Shaft cover (SAC2.5)		10.0067
	Shaft cover (SAC2)		10.0066



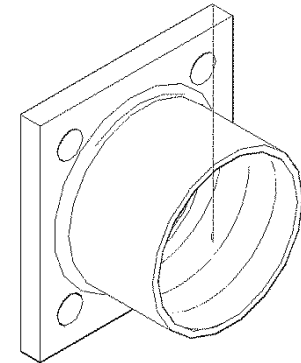
¹For double end shaft model replace nr18part with shaft cover part nr32

No	DESCRIPTION	PIECES	CODE
36 ²	Flange NPT (SAC3) SS316	2	6.0042
	Flange NPT (SAC2.5) SS316		6.0039
	Flange NPT (SAC2) SS316		6.0036
36 ²	Flange NPT (SAC3) SS304	2	6.0041
	Flange NPT (SAC2.5) SS304		6.0038
	Flange NPT (SAC2) SS304		6.0035



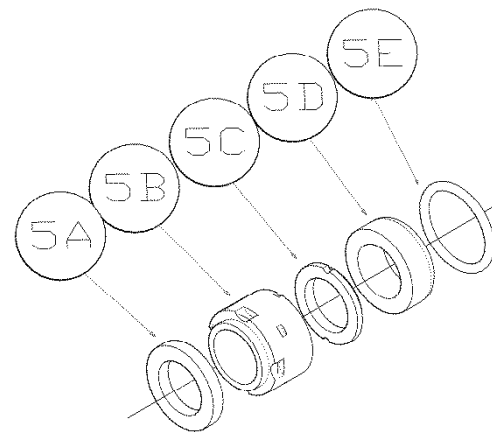
²For NPT flange connection replace nr15 part with NPT flange part nr33

No	DESCRIPTION	PIECES	CODE
37 ³	Flange BSPP (SAC3) SS316	2	6.0051
	Flange BSPP (SAC2.5) SS316		6.0048
	Flange BSPP (SAC2) SS316		6.0045
37 ³	Flange BSPP (SAC3) SS304	2	6.0050
	Flange BSPP (SAC2.5) SS304		6.0047
	Flange BSPP (SAC2) SS304		6.0044

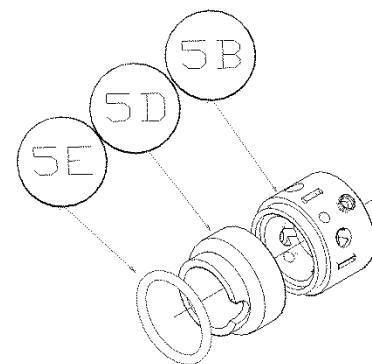


³For BSPP flange connection replace nr15 part with BSPP flange part nr34

No	DESCRIPTION	PIECES	CODE
5A	Intermediate washer	1	4.0064(59U) SAC3
5B	Secondary seal	1	4.0015(59U)SAC2.5
5C	Rotating ring	1	4.0014(59U) SAC2 4.0016(502) SAC3
5D	Stationary ring	1	4.0063(502)SAC2.5
5E	O-ring	1	4.0017(502) SAC2



⁴Type 502 mechanical seal EN 12756



⁵Type 59U mechanical seal EN 12756