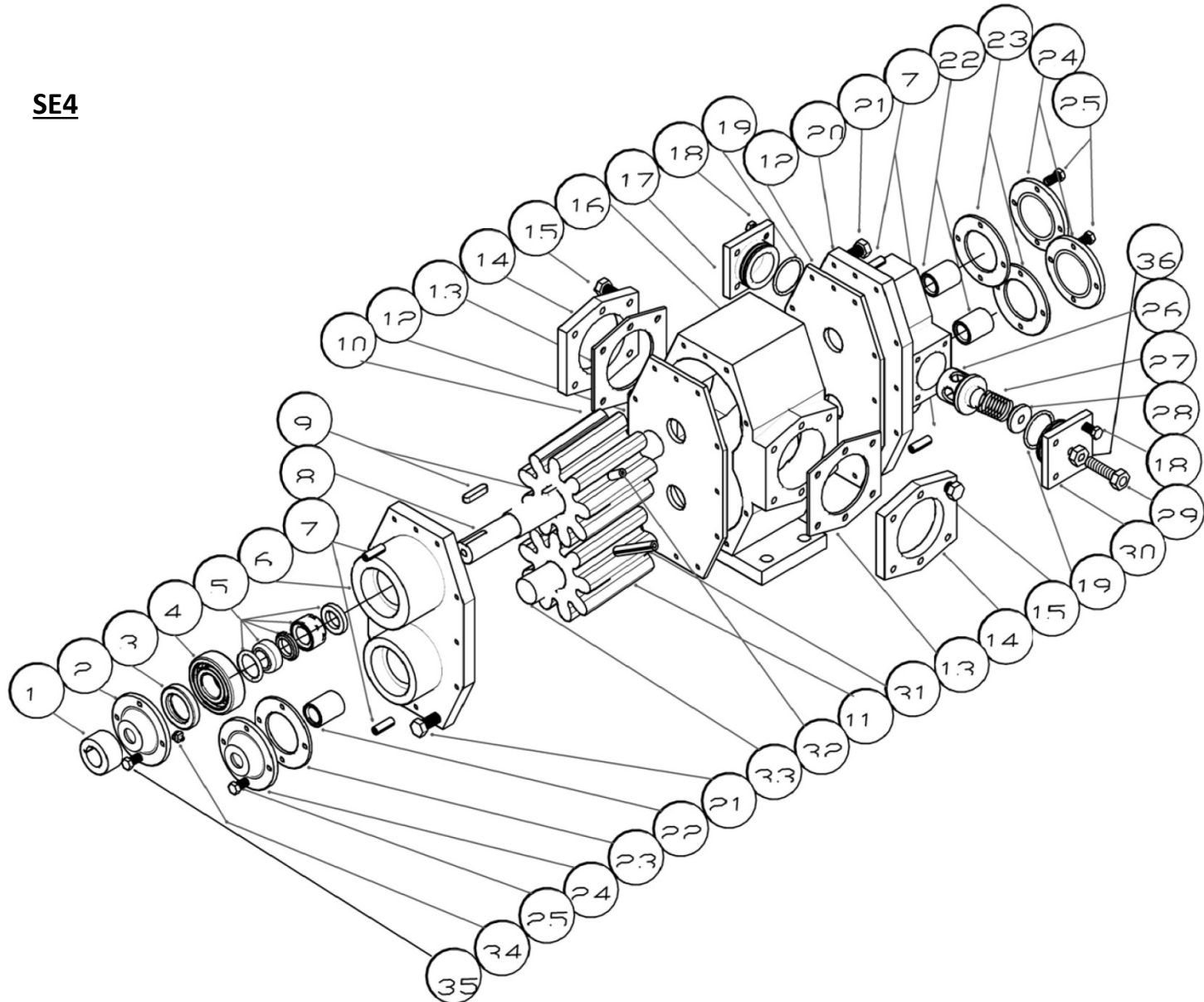


**SE4**



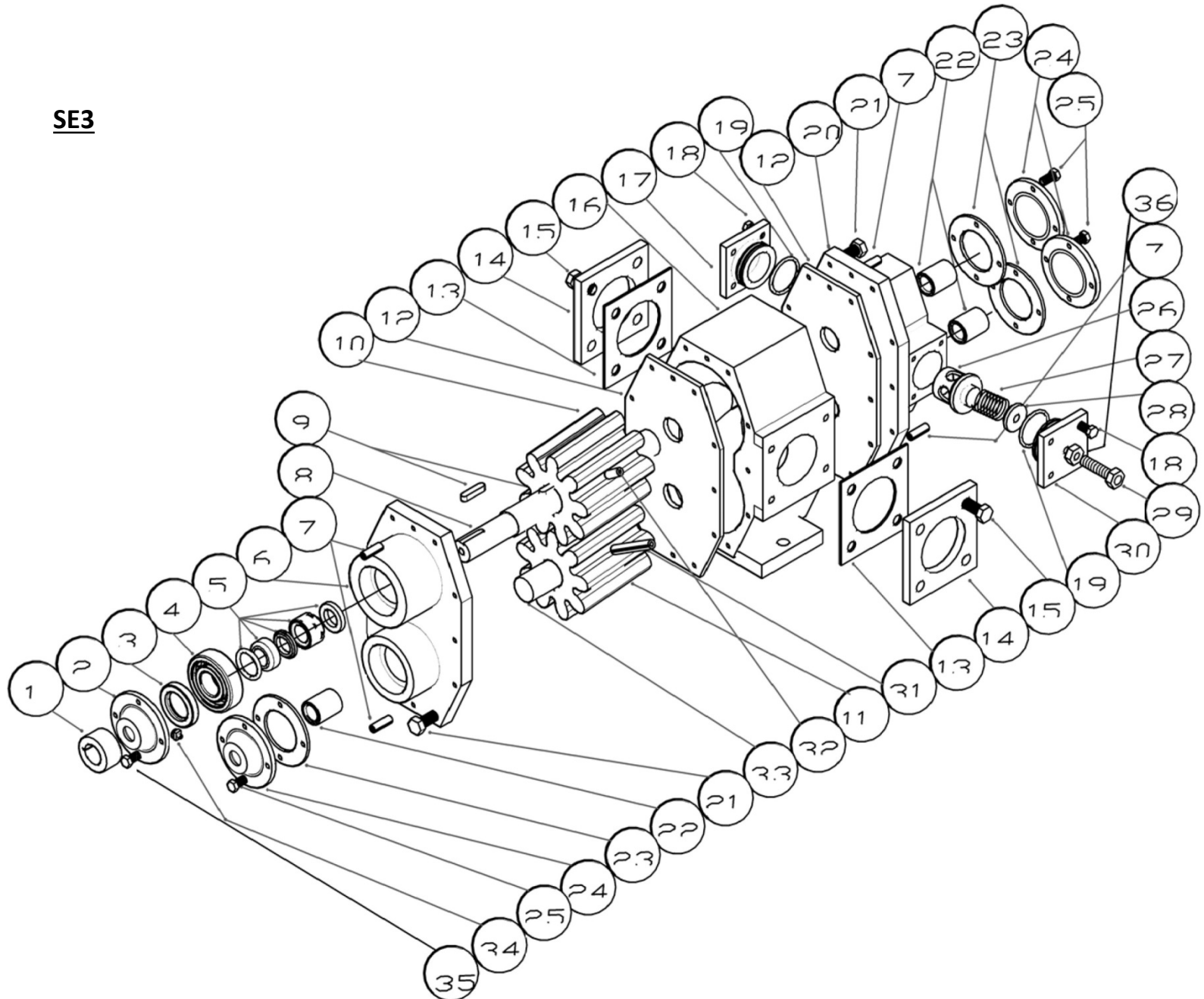
**SE4**

No	DESCRIPTION	PIECES	CODE
1	Coupling SS316	1	10.0054
	Coupling SS304		10.0053
2	Bearing cover (open) SS316	1	7.0129
	Bearing cover (open) SS304		7.0128
3	Rotary lip seal 32×45×7 NBR	1	4.0162
4	Ball bearing 6207	1	5.0005
5	Mechanical seal 59U	1	4.0063
	Mechanical seal 502		4.0015
6	Front Head SS316	1	7.0060
	Front Head SS304		7.0059
7	Cotter pin 8x30	4	9.0051
8	Rotation Shaft SS316	1	10.0030
	Rotation Shaft SS304		10.0029
9	Shaft key 8×7×40	2	9.0061
10	Right Gear SS316	1	2.0045
	Right Gear SS304		2.0044
11	Left Gear SS316	1	2.0039
	Left Gear SS304		2.0038
12	Gasket Teflon	2	6.0083
13	Flange gasket Teflon	2	6.0032
14	Flange weld SS316	2	6.0031
	Flange weld SS304		6.0030
15	Hex screw M12x35	12	9.0010
16	Pump body SS316	1	7.0021
	Pump body SS304		7.0020
17	By-Pass Valve cover (closed) SS316	1	7.0233
	By-Pass Valve cover (closed) SS304		7.0232

**SE4**

No	DESCRIPTION	PIECES	CODE
18	Hex screw M8x25	8	9.0008
19	O-ring 55×49×3 FKM	2	4.0046
	O-ring 55×49×3 PTFE encapsulated		4.0047
20	Rear Head SS316	1	7.0072
	Rear Head SS304		7.0071
21	Hex screw M8x35	20	9.0014
22	Bearing Carbon	3	23.0008
23	Round Gasket PTFE	3	6.0062
24	Bearing cover (closed) SS316	3	7.0131
	Bearing cover (closed) SS304		7.0130
25	Hex screw M6x20	16	9.0002
26	By-Pass Valve SS316	1	3.0022
	By-Pass Valve SS304		3.0020
27	Spring SS316	1	22.0009
	Spring SS302		22.0010
28	Spring guide SS316	1	22.0013
	Spring guide SS304		22.0014
29	Hex screw 10x60	1	9.0020
30	By-Pass Valve cover (open) SS316	1	7.0225
	By-Pass Valve cover (open) SS304		7.0224
31	Cotter pin 10x80	1	9.0053
32	Allen screw M10×25	1	9.0031
33	Secondary Shaft SS316	1	10.0033
	Secondary Shaft SS304		10.0032
34	Greaser M6	1	9.0045
35	Hex screw M8x16		9.0006
36	Nut M10	1	9.0056

**SE3**



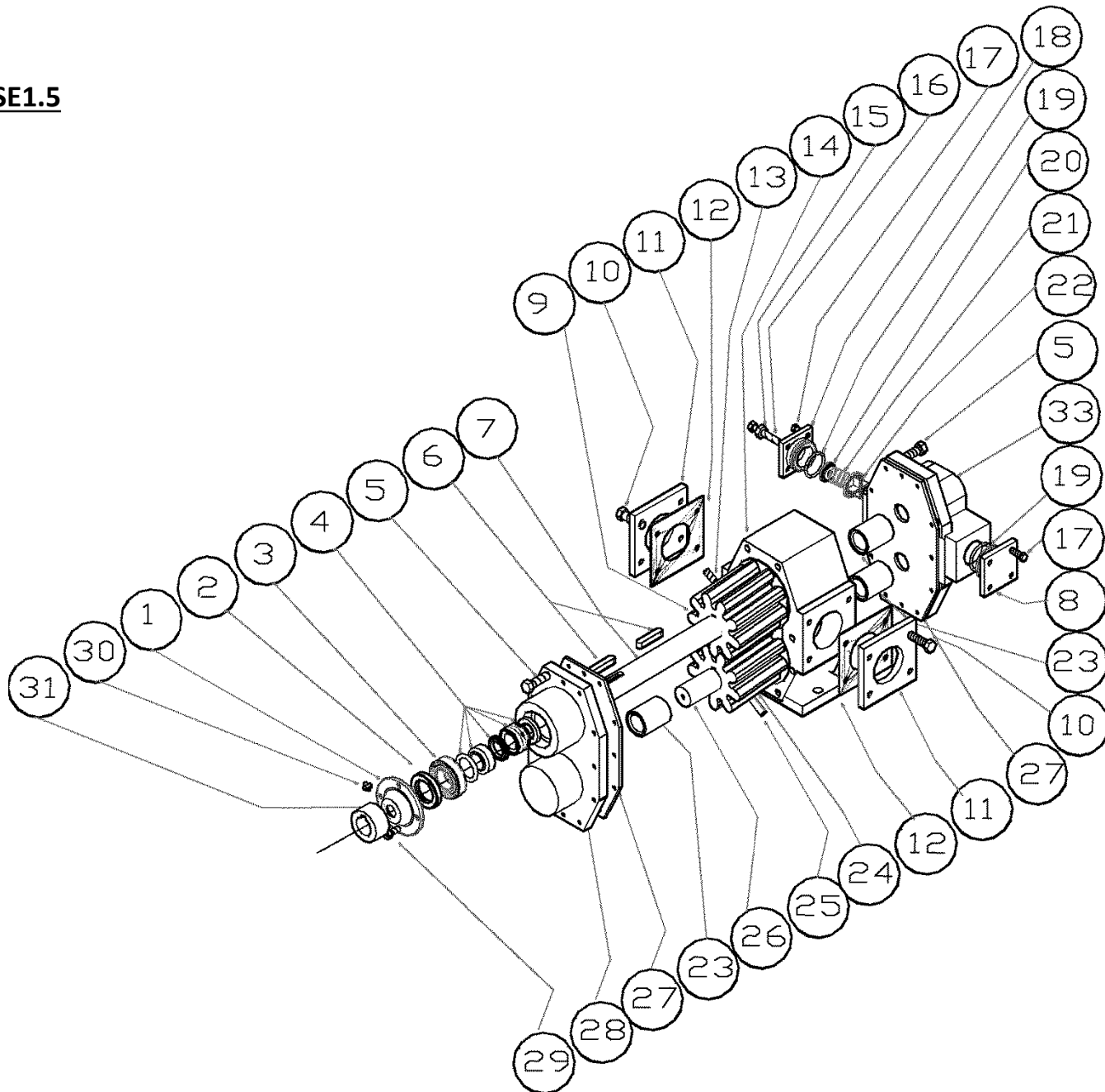
**SE3**

No	DESCRIPTION	PIECES	CODE
1	Coupling SS316	1	10.0054
	Coupling SS304		10.0053
2	Bearing cover (open) SS316	1	7.0129
	Bearing cover (open) SS304		7.0128
3	Rotary lip seal 32x45x7 NBR	1	4.0162
4	Ball bearing 6207	1	5.0005
	Mechanical seal 59U		4.0063
5	Mechanical seal 502	1	4.0015
	Front Head SS316		7.0060
6	Front Head SS304	1	7.0059
	Cotter pin 8x30		4
8	Rotation Shaft SS316	1	10.0024
	Rotation Shaft SS304		10.0023
9	Shaft key 8x7x40	2	9.0061
10	Right Gear SS316	1	2.0033
	Right Gear SS304		2.0032
11	Left Gear SS316	1	2.0027
	Left Gear SS304		2.0026
12	Gasket Teflon	2	6.0083
13	Flange gasket Teflon	2	6.0026
	Flange weld SS316		6.0025
14	Flange weld SS304	2	6.0024
	Hex screw M12x30		12
16	Pump body SS316	1	7.0018
	Pump body SS304		7.0017
17	By-Pass Valve cover (closed) SS316	1	7.0233
	By-Pass Valve cover (closed) SS304		7.0232

**SE3**

No	DESCRIPTION	PIECES	CODE
18	Hex screw M8x25	8	9.0008
19	O-ring 55x49x3 FKM	2	4.0046
	O-ring 55x49x3 PTFE encapsulated		4.0047
20	Rear Head SS316	1	7.0072
	Rear Head SS304		7.0071
21	Hex screw M8x35	20	9.0014
22	Bearing Carbon	3	23.0008
23	Round Gasket PTFE	3	6.0062
24	Bearing cover (closed) SS316	3	7.0131
	Bearing cover (closed) SS304		7.0130
25	Hex screw M6x20	16	9.0002
26	By-Pass Valve SS316	1	3.0022
	By-Pass Valve SS304		3.0020
27	Spring SS316	1	22.0009
	Spring SS302		22.0010
28	Spring guide SS316	1	22.0013
	Spring guide SS304		22.0014
29	Hex screw 10x60	1	9.0020
30	By-Pass Valve cover (open) SS316	1	7.0225
	By-Pass Valve cover (open) SS304		7.0224
31	Cotter pin 10x80	1	9.0053
32	Allen screw M10x25	1	9.0031
33	Secondary Shaft SS316	1	10.0027
	Secondary Shaft SS304		10.0026
34	Greaser M6	1	9.0045
35	Hex screw M8x16		9.0006
36	Nut M10	1	9.0056

**SE1.5**



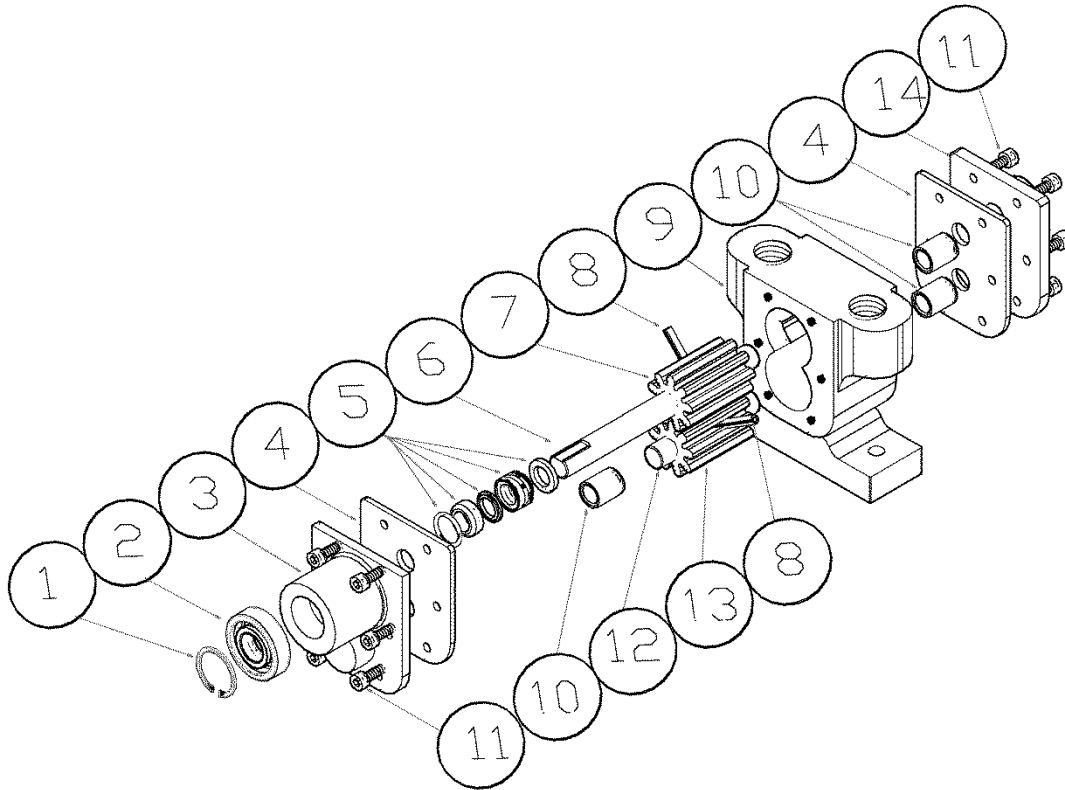
## SE1.5

No	DESCRIPTION	PIECES	CODE
1	Bearing cover (open) SS316	1	7.0127
	Bearing cover (open) SS304		7.0126
2	Rotary lip seal 25×40×7 NBR	1	4.0073
3	Ball bearing 6205	1	5.0020
	Mechanical seal 59U		4.0062
4	Mechanical seal 502	1	4.0013
	Hex screw M8×35		16
6	Shaft key 8×7×40	2	9.0061
	Rotation shaft SS316		10.0018
7	Rotation shaft SS304	1	10.0017
	By-Pass Valve cover (closed) SS316		1
8	By-Pass Valve cover (closed) SS304	1	7.0228
	Right Gear SS316		1
9	Right Gear SS304	1	
	Hex screw M10×30		8
11	Flange weld SS316	2	6.0020
	Flange weld SS304		6.0019
12	Flange Gasket Teflon	2	6.0021
13	Allen screw M8×16	1	9.0029
14	Pump body SS316	1	7.0015
	Pump body SS304		7.0014
15	Nut M10	1	9.0057
16	Hex screw M10×70	1	9.0022
17	Hex screw M6×20	8	9.0002

## SE1.5

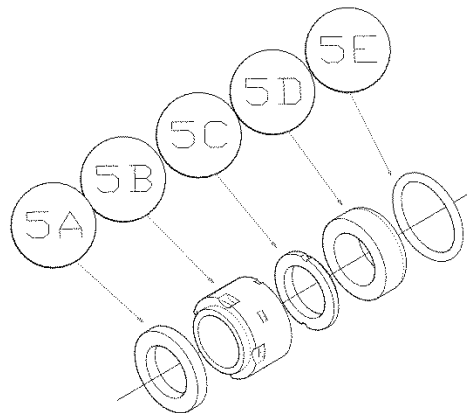
No	DESCRIPTION	PIECES	CODE
18	By-Pass Valve cover (open) SS316	1	7.0221
	By-Pass Valve cover (open) SS304		7.0220
19	O-ring 35×30×2.5 FKM	2	4.0058
	O-ring 35×30×2.5PTFE encapsulated		4.0082
20	Spring guide SS316	1	22.0024
	Spring guide SS304		22.0023
21	Spring SS316	1	22.0021
	Spring SS302		22.0020
22	By-Pass Valve SS316	1	3.0016
	By-Pass Valve SS304		3.0015
23	Bearing Carbon	3	23.0007
24	Left Gear SS316	1	2.0015
	Left Gear SS304		2.0014
25	Cotter pin 6×50	1	9.0049
26	Secondary Shaft SS316	1	10.0021
	Secondary Shaft SS304		10.0020
27	Gasket Teflon	2	6.0082
28	Front Head SS316	1	7.0057
	Front Head SS304		7.0056
29	Screw M6×15	1	9.0139
30	Greaser M6	1	9.0045
31	Coupling SS316	1	10.0048
	Coupling SS304		10.0047
32	Rear Head S316	1	7.0069
	Rear Head S304		7.0068

## SE1 - 1.25

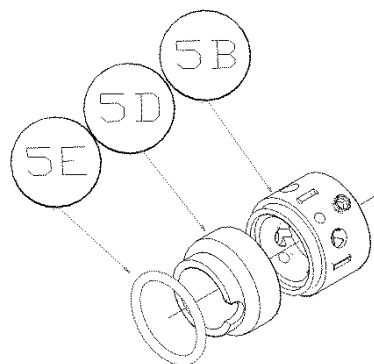


No	DESCRIPTION	PIECES	CODE
1	Retaining ring B42	1	9.0140
2	Ball bearing 6004	1	5.0013
3	Front head SS316 Front head SS304	1	7.0054 7.0053
4	Gasket Teflon	2	6.0081
5	Mechanical seal 59U Mechanical seal 502	1	4.0061 4.0012
6	Rotating shaft SS316 Rotating shaft SS304	1	10.0012 10.0011
7	Right gear SS316 Right gear SS304	1	2.0009 2.0008
8	Cotter pin 5x30	2	9.0047
9	Pump body SS316 Pump body SS304	1	7.0012 7.0011
10	Bearing carbon	3	23.0006
11	Allen screw 8x25	12	9.0141
12	Secondary shaft SS316 Secondary shaft SS304	1	10.0015 10.0014
13	Left gear SS316 Left gear SS304	1	2.0003 2.0002
14	Rear head SS316 Rear head SS304	1	7.0066 7.0065





<sup>4</sup>Type 502 mechanical seal EN 12756



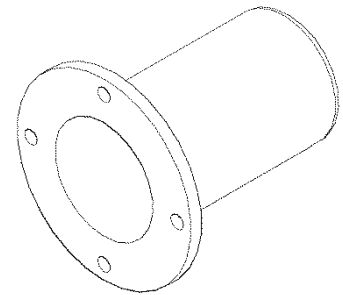
<sup>5</sup>Type 59U mechanical seal EN 12756

No	DESCRIPTION	PIECES	CODE
5A	Intermediate washer	1	4.0015(502)RS4
5B	Secondary seal	1	4.0015(502)RS3 4.0013(502)RS1.5
5C	Rotating ring	1	4.0012(502)RS1-1.25 4.0063(59U)RS4
5D	Stationary ring	1	4.0063(59U)RS3 4.0062(59U)RS1.5
5E	O-ring	1	4.0061(59U)RS1-1.25



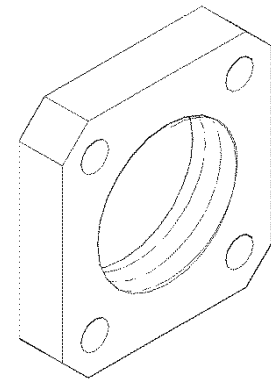
No	DESCRIPTION	PIECES	CODE
30 <sup>1</sup>	Shaft cover (GMD3)	1	10.0068
	Shaft cover (GMD2.5)		10.0067
	Shaft cover (GMD2)		10.0066

→  
<sup>1</sup>For double end shaft model replace nr17part with shaft cover part nr30



No	DESCRIPTION	PIECES	CODE
31 <sup>2</sup>	Flange NPT (GMD3)	2	6.0040
	Flange NPT (GMD2.5)		6.0037
	Flange NPT (GMD2)		6.0034

→  
<sup>2</sup>For NPT flange connection replace nr16 part with NPT flange part nr31



No	DESCRIPTION	PIECES	CODE
32 <sup>3</sup>	Flange BSPP (GMD3)	2	6.0049
	Flange BSPP (GMD2.5)		6.0046
	Flange BSPP (GMD2)		6.0043

→  
<sup>3</sup>For BSPP flange connection replace nr16 part with BSPP flange part nr32

