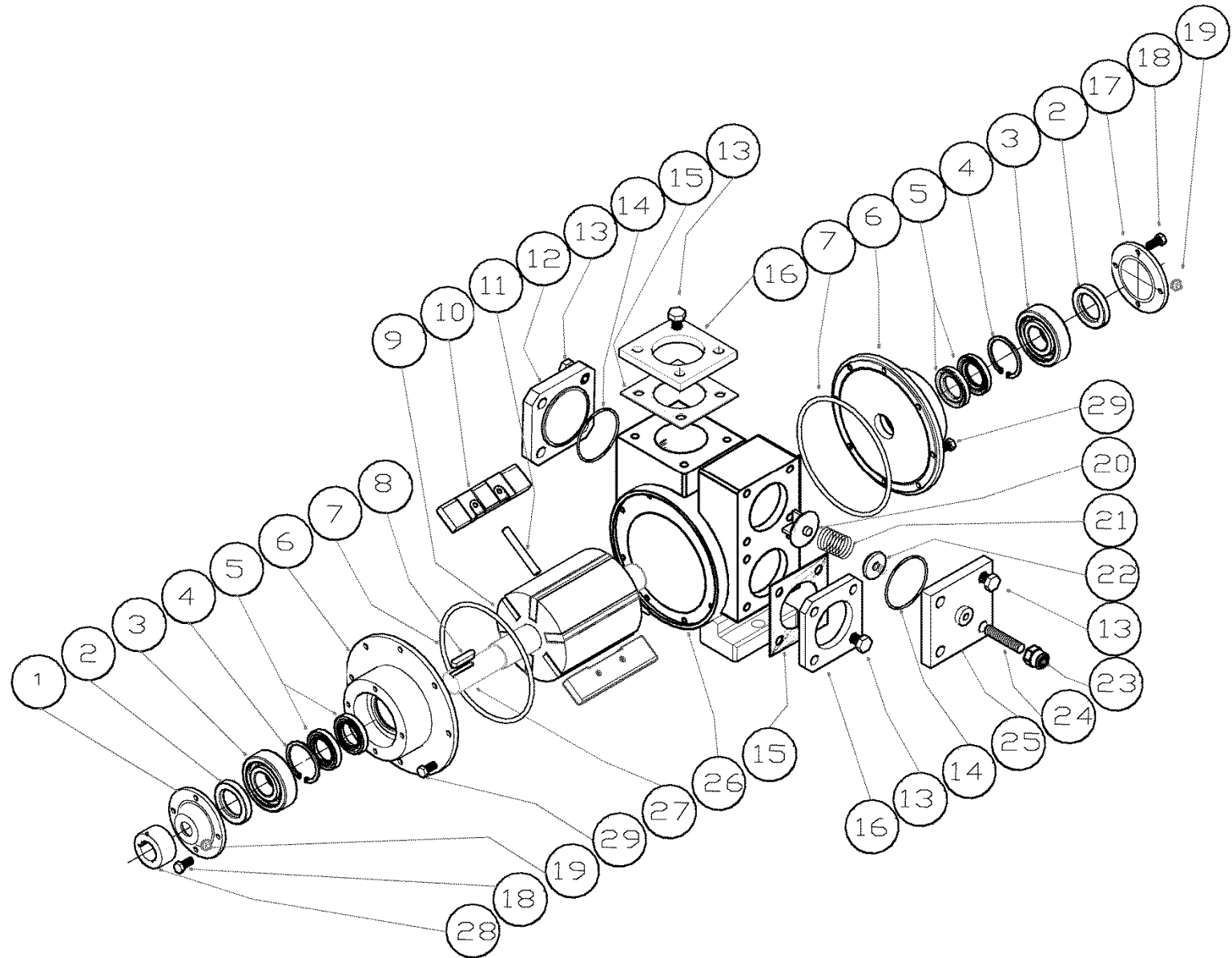


PART LIST

SLD2, SLD2.5, SLD3



SLD3

No	DESCRIPTION	PIECES	CODE
1	Bearing cover(open) Aluminum	1	7.0051
2 ⁵	Rotary lip seal 40x55x8 NBR	2	4.0006
3	Ball bearing 6308	2	5.0003
4	Retaining ring B60 (DIN 471)	2	9.0042
5	Lip seal 40x60x10 NBR Lip seal 40x60x10 FKM	4	4.0007 4.0008
6	Head GG25	2	7.0218
7	O-ring 221x215x3 NBR O-ring 221x215x3 FKM	2	4.0042 4.0043
8	Shaft key 10x8x50	1	9.0062
9	Rotor GG25	1	1.0009
10	Vanes TECAPET Vanes VOLTIS	6	8.0008 8.0007
11	Push rod Φ 8 SS304	3	10.0036
12 ⁴	Two-way outlet cover GG25	1	-
13	Hex screw M12x30	12	9.0023
14	O-ring 100x94x3 NBR O-ring 100x94x3 FKM	1	4.0039 4.0040
15	Flange Gasket Rubber Cork	2	6.0012

SLD3

No	DESCRIPTION	PIECES	CODE
16 ^{2,3}	Flange weld	2	6.0011
17 ¹	Bearing cover(closed) Aluminum	1	7.0063
18	Hex screw M8x16	4	9.0005
19	Greaser M6	2	9.0045
20	By-Pass Valve GG25 By-Pass Valve SS316	1	3.0009 3.0012
21	Spring C80 Spring SS316 Spring C80 plated	1	22.0001 22.0009 22.0002
22	Spring guide GG25 Spring guide SS316	1	22.0007 22.0013
23	By-Pass Valve nut M28 Brass By-Pass Valve nut M28 SS316	1	3.0031 3.0033
24	Screw M14x80 Screw M14x80 SS316	1	9.0269 9.0270
25	By-Pass Valve cover GG25	1	7.0040
26	Pump body GG25	1	7.0007
27	Shaft single end 42CrMo4 Shaft double end 42CrMo4	1	10.0102 10.0112
28	Coupling	1	10.0043
29	Hex screw M10x40	20	9.0017

⁴For SLD3 model there is no two-way outlet ability therefore part nr 12 must be removed along with the corresponding o-ring and hex screw .

⁵For SLD3-2.5-2 models the rotary lip seal at the bearing cover (closed)(17) is only installed with double end shaft

SLD2.5

No	DESCRIPTION	PIECES	CODE
1	Bearing cover(open) Aluminum	1	7.0050
2 ⁵	Rotary lip seal 30x45x7 NBR	2	4.0001
3	Ball bearing 6307	2	5.0002
4	Retaining ring B55 (DIN 471)	2	9.0040
5	Lip seal 35x55x8 NBR Lip seal 35x55x8 FKM	4	4.0004 4.0005
6	Head GG25	2	7.0217
7	O-ring 168x162x3 NBR O-ring 168x162x3 FKM	2	4.0033 4.0034
8	Shaft key 8x7x40	1	9.0060
9	Rotor GG25	1	1.0005
10	Vanes TECAPET Vanes VOLTIS	6	8.0005 8.0004
11	Push rod Ø8 SS304	3	10.0035
12	Two-way outlet cover GG25	1	7.0046
13	Hex screw M12x30	16	9.0023
14	O-ring 85x79x3 NBR O-ring 85x79x3 FKM	2	4.0036 4.0037
15	Flange Gasket Rubber Cork	2	6.0007
16 ^{2,3}	Flange weld	2	6.0006

SLD2.5

No	DESCRIPTION	PIECE	CODE
17 ¹	Bearing cover(closed) Aluminum	1	7.0062
18	Hex screw M8x16	8	9.0005
19	Greaser M6	2	9.0045
20	By-Pass Valve GG25 By-Pass Valve SS316	1	3.0001 3.0004
21	Spring C80 Spring SS316 Spring C80 plated	1	22.0004 22.0011 22.0005
22	Spring guide GG25 Spring guide SS316	1	22.0008 22.0015
23	By-Pass Valve nut M22 GG25 By-Pass Valve nut M22 SS316	1	3.0025 3.0027
24	Allen screw M12x60 Steel st37 Allen screw M12x60 SS316	1	9.0032 9.0033
25	By-Pass Valve cover GG25	1	7.0037
26	Pump body GG25	1	7.0004
27	Shaft single end 42CrMo4 Shaft double end 42CrMo4	1	10.0004 10.0060
28	Coupling	1	10.0040
29	Hex screw M8x30	16	9.0011

⁵For SLD3-2.5-2 models the rotary lip seal at the bearing cover (closed)(17) is only installed with double end shaft

SLD2

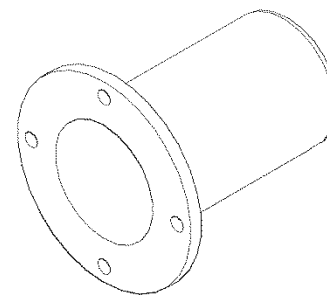
No	DESCRIPTION	PIECES	CODE
1	Bearing cover (open) Aluminum	1	7.0049
2 ⁵	Rotary lip seal 30×45×7 NBR	2	4.0001
3	Ball bearing 6206	2	5.0001
4	Retaining ring B52 (DIN 471)	2	9.0038
5	Rotary lip seal 52×30×7 NBR Rotary lip seal 52×30×7 FKM	4	4.0002 4.0003
6	Head GG25	2	7.0216
7	O-ring 151×145×3 NBR O-ring 151×145×3 FKM	2	4.0027 4.0028
8	Shaft key 8×7×40	1	9.0060
9	Rotor GG25	1	1.0001
10	Vanes TECAPET Vanes VOLTIS	6	8.0002 8.0001
11	Push rod Ø8 SS304	3	10.0034
12	Two-way outlet cover GG25	1	7.0043
13	Hex screw M10×30	12	9.0015
14	O-ring 70×64×3 NBR O-ring 70×64×3 FKM	2	4.0030 4.0031
15	Flange Gasket Rubber Cork	2	6.0002

SLD2

No	DESCRIPTION	PIECES	CODE
16 ^{2,3}	Flange weld	2	6.0001
17 ¹	Bearing cover(closed) Aluminum	1	7.0061
18	Hex screw M8×16	8	9.0005
19	Greaser M6	2	9.0045
20	By-Pass Valve GG25 By-Pass Valve SS316	1	3.0001 3.0004
21	Spring C80 Spring SS302 Spring C80 plated	1	22.0004 22.0011 22.0005
22	Spring guide GG25 Spring guide SS316	1	22.0008 22.0015
23	By-Pass Valve nut M22 GG25 By-Pass Valve nut M22 SS316	1	3.0025 3.0027
24	Allen screw M12×60 Steel st37 Allen screw M12×60 SS316	1	9.0032 9.0033
25	By-Pass Valve cover GG25	1	7.0034
26	Pump body GG25	1	7.0001
27	Shaft single end 42CrMo4 Shaft double end 42CrMo4	1	10.0001 10.0057
28	Coupling	1	10.0037
29	Hex screw M8×30	12	9.0011

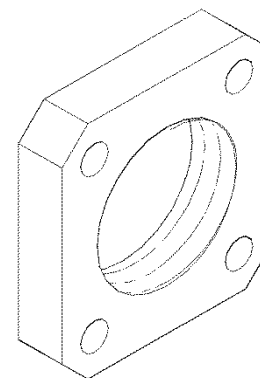
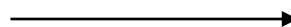
⁵For SLD3-2.5-2 models the rotary lip seal at the bearing cover (closed)(17) is only installed with double end shaft

No	DESCRIPTION	PIECES	CODE
30 ¹	Shaft cover (SLD3)	1	10.0068
	Shaft cover (SLD2.5)		10.0067
	Shaft cover (SLD2)		10.0066



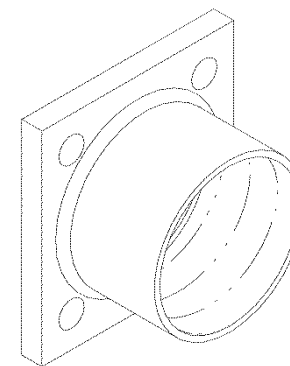
¹For double end shaft model replace nr17part with shaft cover part nr29

No	DESCRIPTION	PIECES	CODE
31 ²	Flange NPT (SLD3)	2	6.0040
	Flange NPT (SLD2.5)		6.0037
	Flange NPT (SLD2)		6.0034



²For NPT flange connection replace nr16 part with NPT flange part nr30

No	DESCRIPTION	PIECES	CODE
32 ³	Flange BSPP (SLD3)	2	6.0049
	Flange BSPP (SLD2.5)		6.0046
	Flange BSPP (SLD2)		6.0043



³For BSPP flange connection replace nr16 part with BSPP flange part nr31