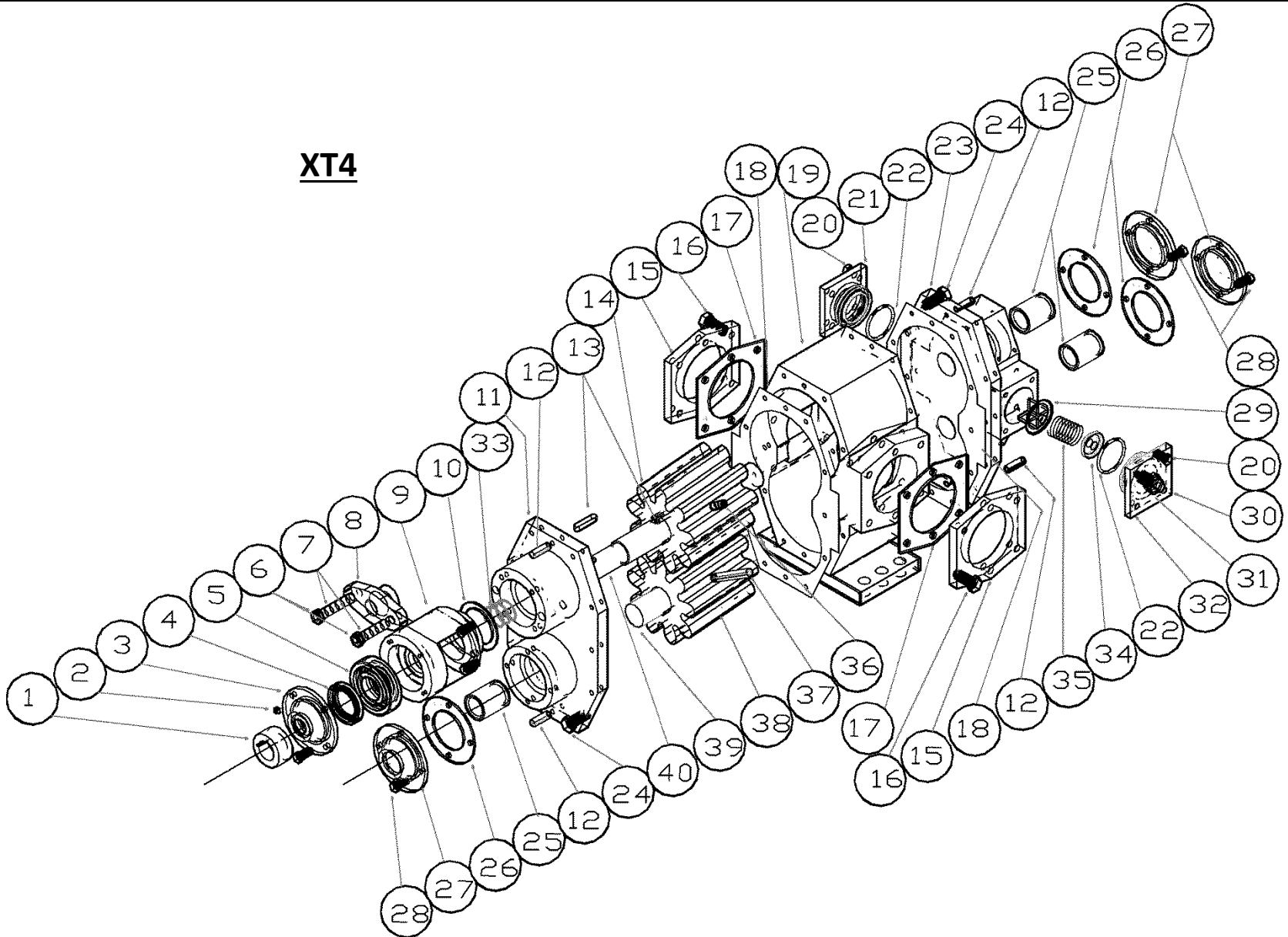


XT4

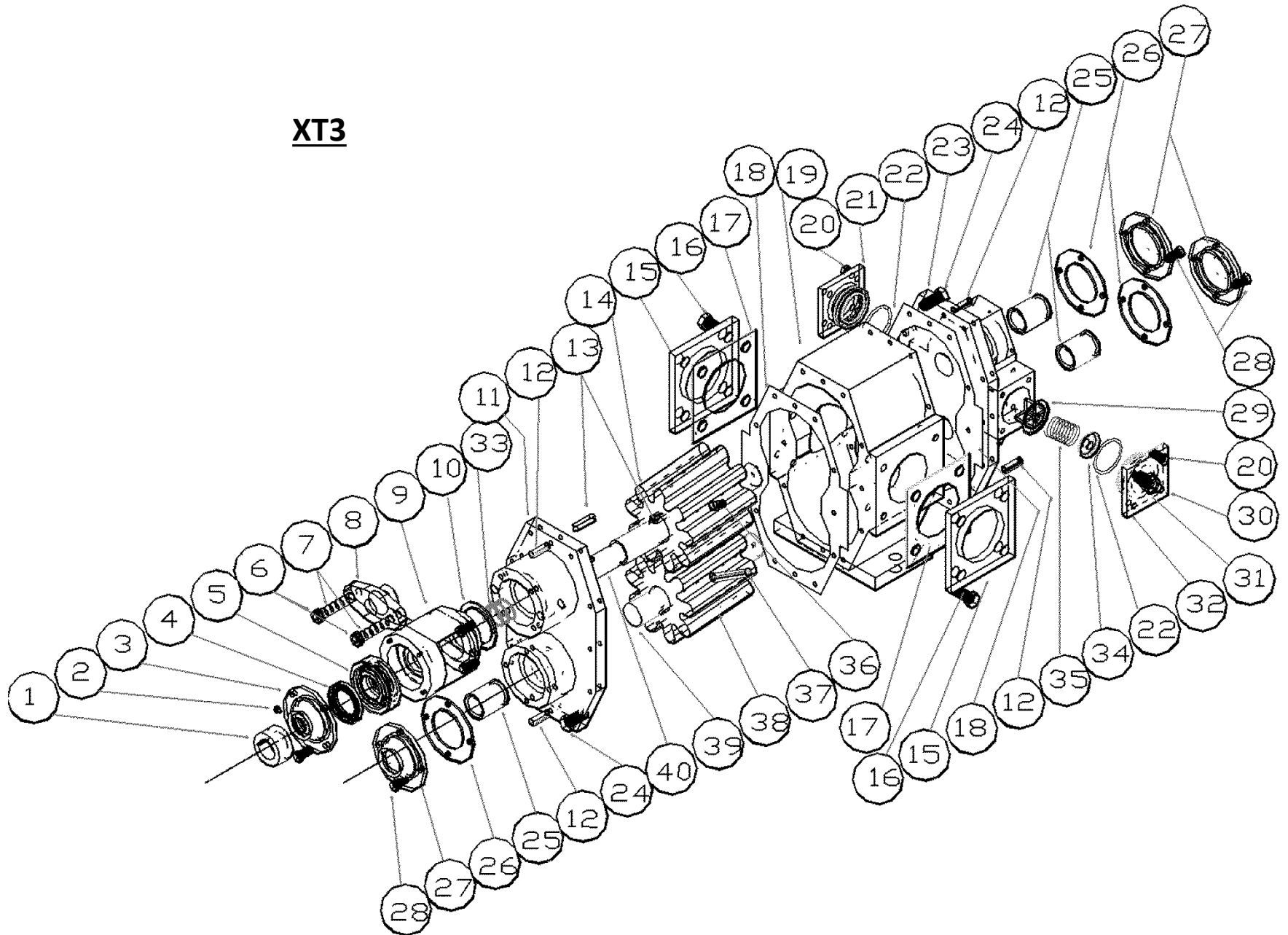


XT4

No	DESCRIPTION	PIECES	CODE
1	Coupling	1	10.0052
2	Greaser M6	4	9.0045
3	Bearing cover(open) Aluminum	1	7.0031
4	Rotary lip seal 35×45×7 NBR	1	4.0009
5	Ball bearing 6207	1	5.0005
6	Nut M10	2	9.0056
7	Rod M10 x 66	2	9.0074
8	Packing follower GG25 Packing follower GGG50	1	7.0118 7.0121
9	Packing gland adaptor	1	7.0122
10	O-ring 70x66x2 NBR O-ring 70x66x2 FKM O-ring 70x66x2 FEP	1	4.0110 4.0111 4.0112
11	Front Head GG25 Front Head GGG50	1	7.0058 7.0100
12	Cotter pin 8x30	4	9.0050
13	Shaft key 8×7×40	2	9.0060
14	Right Gear GG25 Right Gear GGG50 Right Gear 17NiCrMo6-4 Thermal treated	1	2.0043 2.0046 2.0057
15	Flange weld	2	6.0028
16	Hex screw M12x35	12	9.0009
17	Flange Gasket Rubber Cork Flange Gasket Teflon	2	6.0029 6.0032
18	Gasket	2	6.0027
19	Pump body GG25 Pump body GGG50	1	7.0019 7.0095
20	Hex screw M8x25	8	9.0007
21	By-Pass Valve cover (closed) GG25 By-Pass Valve cover (closed)GGG50	1	3.0046 3.0049
22	O-ring 55×49×3 NBR O-ring 55×49×3 FKM O-ring 55×49×3 FEP	2	4.0045 4.0046 4.0047
23	Rear Head GG25 Rear Head GGG50	1	7.0070 7.0103

No	DESCRIPTION	PIECES	CODE
24	Hex screw M8x35	20	9.0013
25	Bearing Carbon Bearing Brass	3	23.0008 23.0011
26	Round Gasket Rubber Cork Round Gasket Teflon	3	6.0061 6.0062
27	Bearing cover (closed) Aluminum Bearing cover (closed) GG25 Bearing cover (closed) GGG50	3	7.0033 7.0177 7.0178
28	Hex screw M6x20	16	9.0001
29	By-Pass Valve Brass By-Pass Valve GG25 By-Pass Valve GGG50 By-Pass Valve SS316	1	3.0018 3.0019 3.0023 3.0022
30	Nut M10	1	9.0056
31	Hex screw 10x60	1	9.0019
32	By-Pass Valve cover (open) GG25 By-Pass Valve cover (open) GGG50	1	3.0038 3.0041
33	Nipper set PTFE Nipper set CARBON	4	4.0022 4.0023
34	Spring guide st37 Spring guide SS316	1	22.0025 22.0026
35	Spring C80 Spring SS302 Spring C80 plated Spring SS316	1	22.0001 22.0003 22.0002 22.0009
36	Allen screw M10×25	1	9.0030
37	Cotter pin 10x80	1	9.0052
38	Left Gear GG25 Left Gear GGG50 Left Gear 17NiCrMo6-4 Thermal treated	1	2.0037 2.0040 2.0056
39	Secondary Shaft 42CrMo4 Secondary Shaft 42CrMo4 Thermal treated	1	10.0031 10.0079
40	Rotation shaft 42CrMo4 Rotation shaft 42CrMo4 Thermal treated	1	10.0028 10.0078

XT3

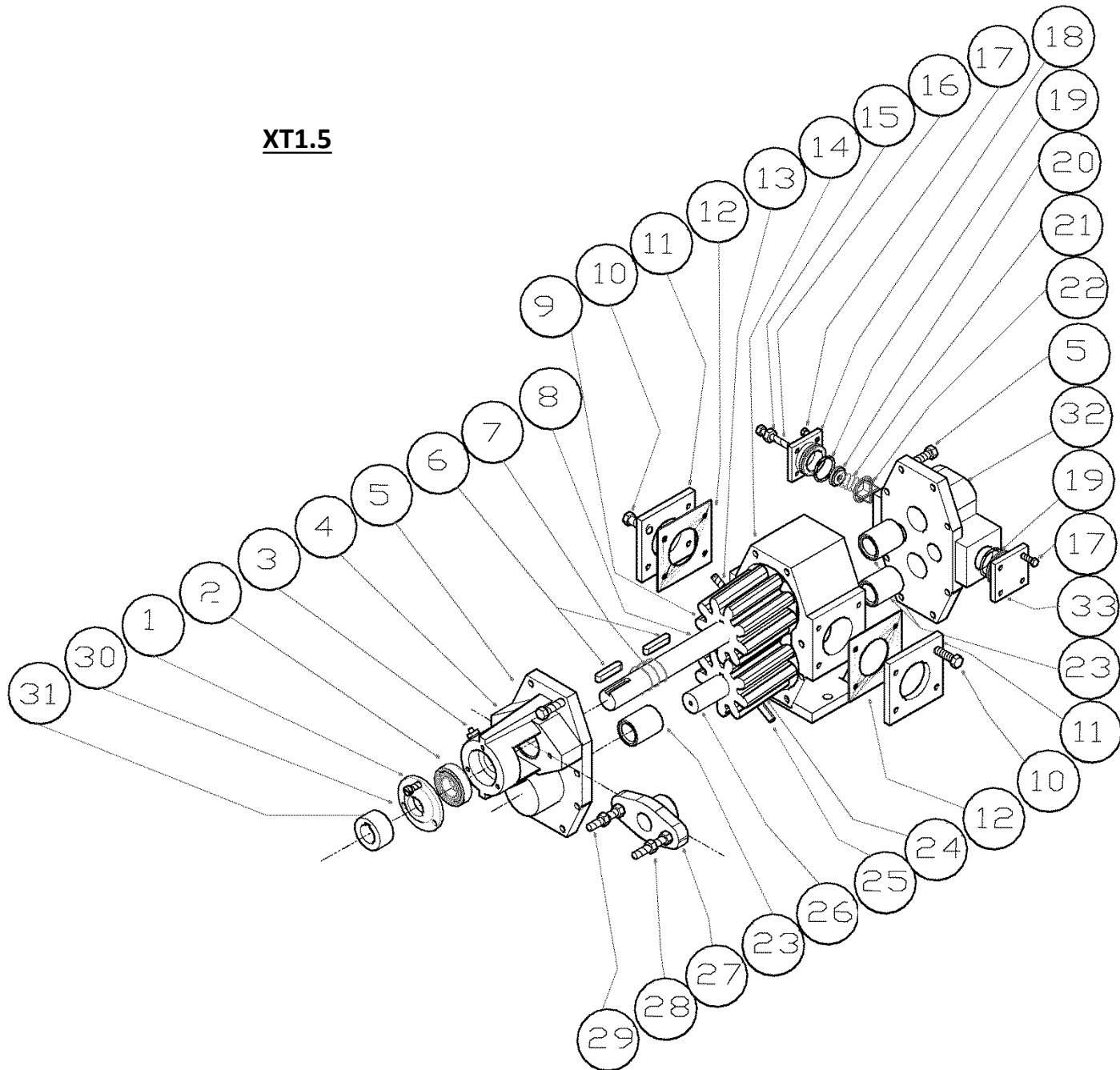


XT3

No	DESCRIPTION	PIECES	CODE
1	Coupling	1	10.0052
2	Greaser M6	4	9.0045
3	Bearing cover(open) Aluminum	1	7.0031
4	Rotary lip seal 35x45x7 NBR	1	4.0009
5	Ball bearing 6207	1	5.0005
6	Nut M10	2	9.0056
7	Rod M10 x 66	2	9.0074
8	Packing follower GG25 Packing follower GGG50	1	7.0118 7.0121
9	Packing gland adaptor	1	7.0122
10	O-ring 70x66x2 NBR O-ring 70x66x2 FKM O-ring 70x66x2 FEP	1	4.0110 4.0111 4.0112
11	Front Head GG25 Front Head GGG50	1	7.0058 7.0100
12	Cotter pin 8x30	4	9.0050
13	Shaft key 8x7x40	2	9.0060
14	Right Gear GG25 Right Gear GGG50 Right Gear 17NiCrMo6-4 Thermal treated	1	2.0031 2.0034 2.0055
15	Flange weld	2	6.0022
16	Hex screw M12x30	8	9.0023
17	Flange Gasket Rubber Cork Flange Gasket Teflon	2	6.0023 6.0026
18	Gasket	2	6.0027
19	Pump body GG25 Pump body GGG50	1	7.0016 7.0094
20	Hex screw M8x25	8	9.0007
21	By-Pass Valve cover (closed) GG25 By-Pass Valve cover (closed) GGG50	1	3.0046 3.0049
22	O-ring 55x49x3 NBR O-ring 55x49x3 FKM O-ring 55x49x3 FEP	2	4.0045 4.0046 4.0047
23	Rear Head GG25 Rear Head GGG50	1	7.0070 7.0103

No	DESCRIPTION	PIECES	CODE
24	Hex screw M8x35	20	9.0013
25	Bearing Carbon Bearing Brass	3	23.0008 23.0011
26	Round Gasket Rubber Cork Round Gasket Teflon	3	6.0061 6.0062
27	Bearing cover (closed) Aluminum Bearing cover (closed) GG25 Bearing cover (closed) GGG50	3	7.0033 7.0177 7.0178
28	Hex screw M6x20	16	9.0001
29	By-Pass Valve Brass By-Pass Valve GG25 By-Pass Valve GGG50	1	3.0018 3.0019 3.0023
30	Nut M10	1	9.0056
31	Hex screw 10x60	1	9.0019
32	By-Pass Valve cover (open) GG25 By-Pass Valve cover (open) GGG50	1	3.0038 3.0041
33	Nipper set PTFE Nipper set CARBON	4	4.0022 4.0023
34	Spring guide st37 Spring guide SS316	1	22.0025 22.0026
35	Spring C80 Spring SS302 Spring C80 plated Spring SS316	1	22.0001 22.0003 22.0002 22.0013
36	Allen screw M10x25	1	9.0030
37	Cotter pin 10x80	1	9.0052
38	Left Gear GG25 Left Gear GGG50 Left Gear 17NiCrMo6-4 Thermal treated	1	2.0025 2.0028 2.0054
39	Secondary Shaft 42CrMo4 Secondary Shaft 42CrMo4 thermal treated	1	10.0025 10.0077
40	Rotation shaft 42CrMo4 Rotation shaft 42CrMo4 thermal treated	1	10.0022 10.0076

XT1.5

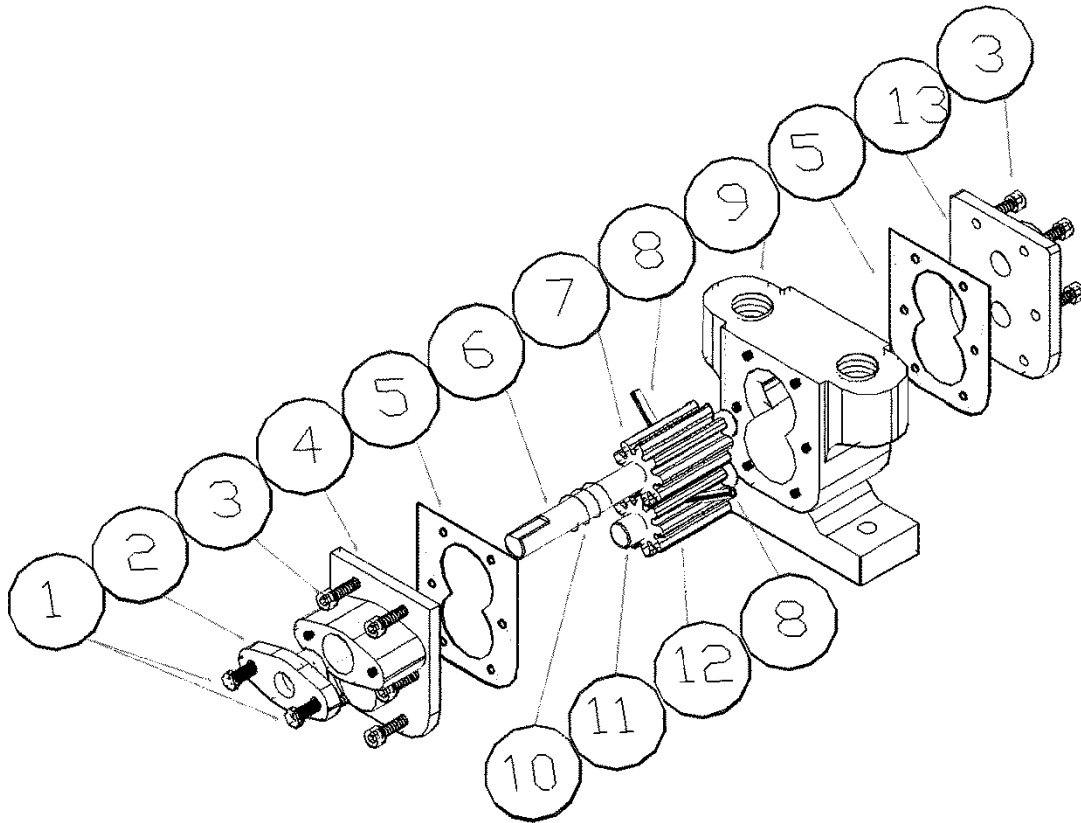


XT1.5

No	DESCRIPTION	PIECES	CODE
1	Bearing cover(open) Aluminum	1	7.0032
2	Ball bearing 6205	1	5.0020
3	Greaser M6	1	9.0045
4	Front Head GG25 Front Head GGG50	1	7.0147 7.0099
5	Hex screw M8x35	16	9.0013
6	Shaft key 8x7x40	2	9.0060
7	Nipper set PTFE Nipper set CARBON	4	4.0020 4.0021
8	Rotation shaft 42CrMo4 Rotation shaft 42CrMo4 Thermal treated	1	10.0016 10.0074
9	Right Gear GG25 Right Gear GGG50 Right Gear 17NiCrMo6-4 Thermal treated	1	2.0019 2.0022 2.0053
10	Hex screw M10x30	8	9.0015
11	Flange weld	2	6.0017
12	Flange Gasket Rubber Cork Flange Gasket Teflon	2	6.0018 6.0021
13	Allen screw M8x16	1	9.0028
14	Pump body GG25 Pump body GGG50	1	7.0013 7.0093
15	Nut M10	1	9.0056
16	Hex screw M10x70	1	9.0021
17	Hex screw M6x20	8	9.0001
18	By-Pass Valve cover (open) GG25 By-Pass Valve cover (open) GGG50	1	3.0034 3.0037
19	O-ring 35x30x 2.5 NBR O-ring 35x30 x2.5 FKM O-ring 35x30 x2.5 FEP	2	4.0079 4.0058 4.0082

No	DESCRIPTION	PIECES	CODE
20	Spring guide st37 Spring guide SS316	1	22.0022 22.0023
21	Spring C80 Spring SS302 Spring C80 plated Spring SS316	1	22.0017 22.0019 22.0018 22.0021
22	By-Pass Valve Brass By-Pass Valve GG25 By-Pass Valve GGG50	1	3.0013 3.0014 3.0017
23	Bearing Carbon Bearing Brass	3	23.0007 23.0010
24	Left Gear GG25 Left Gear GGG50 Left Gear 17NiCrMo6-4 Thermal treated	1	2.0013 2.0016 2.0052
25	Cotter pin 6x50	1	9.0048
26	Secondary Shaft 42CrMo4 Secondary Shaft 42CrMo4 Thermal treated	1	10.0019 10.0075
27	Packing follower GG25 Packing follower GGG50	1	7.0076 7.0105
28	Nut M8	2	9.0054
29	Rod M8 x 65	2	9.0034
30	Screw 6 x 15	4	9.0128
31	Coupling	1	10.0046
32	Rear Head GG25 Rear Head GGG50	1	7.0067 7.0102
33	By-Pass Valve cover (closed) GG25 By-Pass Valve cover (closed) GGG50	1	3.0042 3.0045

XT1 & XT1.25



No	DESCRIPTION	PIECES	CODE
1	Hex screw 8x35	2	9.0013
2	Packing follower GG25 Packing follower GGG50	1	7.0073 7.0104
3	Allen screw 8x25	12	9.0129
4	Front Head GG25 Front Head GGG50	1	7.0144 7.0098
5	Gasket	2	6.0016
6	Rotation shaft 42CrMo4 Rotation shaft 42CrMo4 Thermal treated	1	10.0010 10.0072
7	Right Gear GG25 Right Gear GGG50 Right Gear 17NiCrMo6-4 Thermal treated	1	2.0007 2.0010 2.0012
8	Cotter pin 5x30	2	9.0046
9	Pump body GG25 Pump body GGG50	1	7.0010 7.0092
10	Nipper set PTFE Nipper set CARBON	2	4.0018 4.0019
11	Secondary Shaft 42CrMo4 Secondary Shaft 42CrMo4 Thermal treated	1	10.0013 10.0073
12	Left Gear GG25 Left Gear GGG50 Left Gear 17NiCrMo6-4 Thermal treated	1	2.0001 2.0004 2.0006
13	Rear Head GG25 Rear Head GGG50	1	7.0064 7.0101